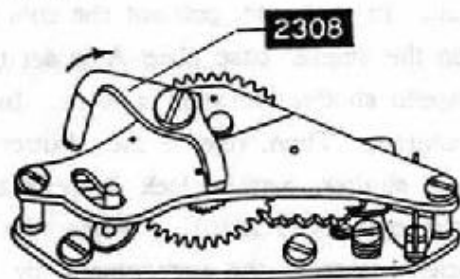


4. Mounting of Shutter base Plate-A and Slow gear

Check point before mounting:

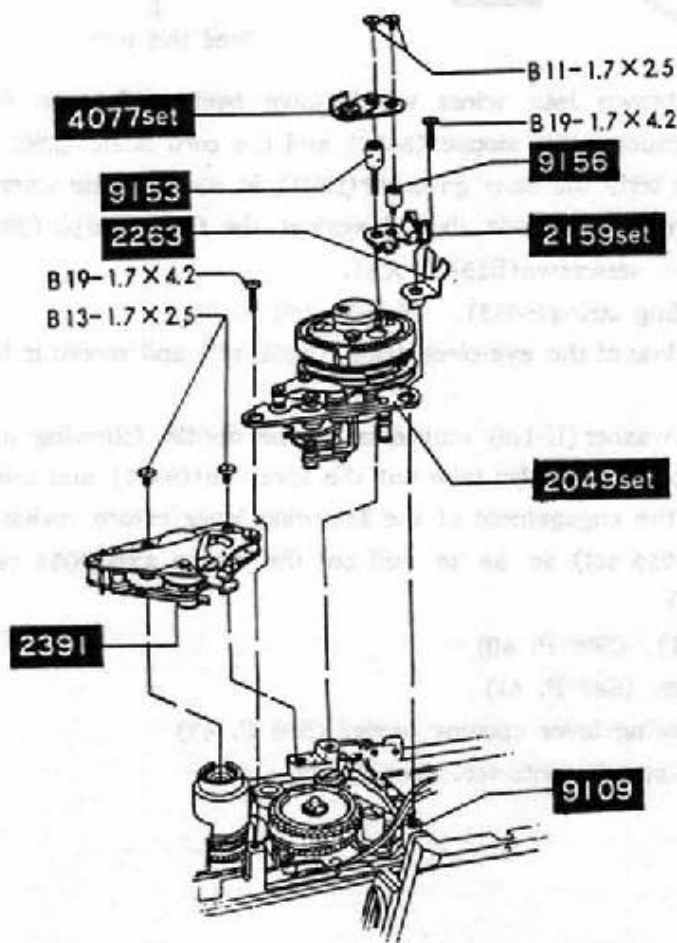
* Check if the second gear (2308) of the slow governor will return to its initial position when the part is displaced in the direction indicated by the arrow in the figure to its full extent.

Fig. 67



1. Engage two black lead wires of the body to the screw-A (9109) as indicated in the figure and withdraw the white and brown lead wires forwardly of the camera body. (Fig. 68)
2. Embed the shutter base plate-A (2049 set) into the camera body and hold in position by one setscrew (B19-1.7x4.2). Place the cord holder (2263) upon the base plate-A (2049 set) and hold them in position by one setscrew (B19-1.7x4.2).
3. Attach the speed dial stopper (2159 set) by the pulley base axis-A and B (9153, 9156), and then place the TV middle pulley base (4077 set) over the speed dial stopper (2159 set), and hold them in position by two setscrews (B11-1.7x2.5).

Fig. 68

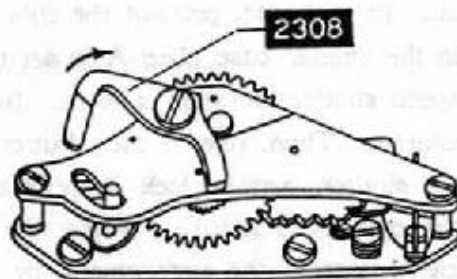


4. Mounting of Shutter base Plate-A and Slow gear

Check point before mounting:

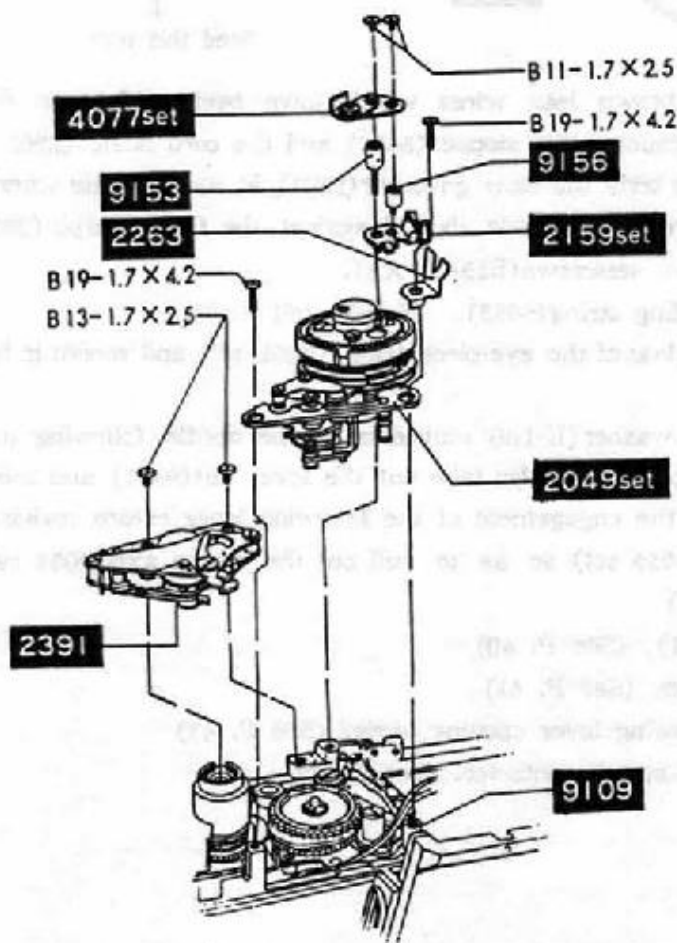
* Check if the second gear (2308) of the slow governor will return to its initial position when the part is displaced in the direction indicated by the arrow in the figure to its full extent.

Fig. 67



1. Engage two black lead wires of the body to the screw-A (9109) as indicated in the figure and withdraw the white and brown lead wires forwardly of the camera body. (Fig. 68)
2. Embed the shutter base plate-A (2049 set) into the camera body and hold in position by one setscrew (B19-1.7x4.2). Place the cord holder (2263) upon the base plate-A (2049 set) and hold them in position by one setscrew (B19-1.7x4.2).
3. Attach the speed dial stopper (2159 set) by the pulley base axis-A and B (9153, 9156), and then place the TV middle pulley base (4077 set) over the speed dial stopper (2159 set), and hold them in position by two setscrews (B11-1.7x2.5).

Fig. 68



4. Mount the winding lever to the winding lever holder. Set the shutter base plate-A to bulb position, and release the shutter. In this case, if the shutter curtain fails to close or run, this is because the sliding motion of the second shutter curtain lock lever(2029) and the clutch fork(3024) is not smooth. Adjust by bending the bended portion of the clutch fork (3024). Further, if the shutter axle spring is too weak, the shutter curtain fails to close or run. In this case, pull out the split washer and expand the spring.
5. When the shutter base plate-A is set the bulb position and when the shutter is released, highspeed shutter operation is made. In this case, disengage the slow gear and then charge the shutter. Then, release the shutter while checking the state of engagement of the second shutter curtain lock lever(2029) and the second curtain cock plate(2030). When the engagement is not sufficient, improve the engagement by bending the shutter curtain lock lever (2029). Even if such counter-measure fails to correct the engagement, replace the driving gear (2042 set) with new one.

Fig. 69

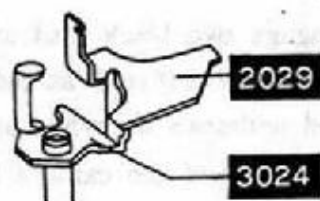
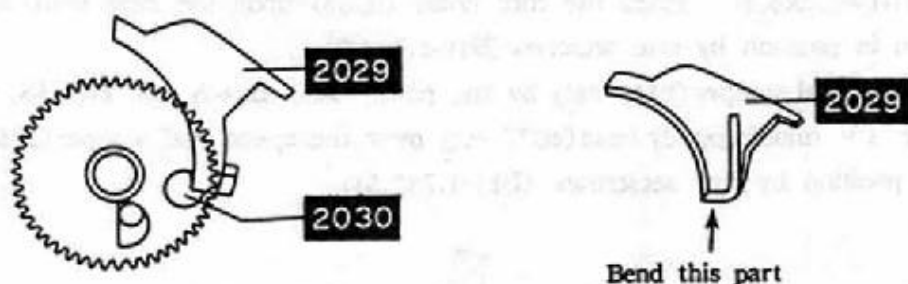


Fig. 70



6. Insert the white and brown lead wires which have been withdrawn forwardly of the camera body into the counter dial stopper(3453) and the cord holder(2263).
7. Embed into the camera body the slow governor(2391) in such a state where the settlement lever(2326) of the governor(2391) is abutted against the first gearpin(2335), and hold in position by means of two setscrews(B13-1.7×3).
8. Attach the index coupling string(5053). (See P. 29)
9. Clean the view-finder glass of the eye-piece frame(5061 set) and mount it by two setscrews (9158).
10. Take out the coupling washer(E-1.2) embedded in the needle following axis(4062) of the needle following base plate then also take out the lever nut(9451) and the following upper lever(4056). Release the engagement of the following lever return spring(4057) with the following rotate axis(4054 set) so as to pull out the rotate axis(4054 set) and take out the return spring(4057).
11. Attach TV string(4081). (See P. 40)
12. Adjust the cam position. (See P. 41)
13. Adjust the needle following lever opening angle. (See P. 41)
14. Adjust the AV safety switch contactor. (See P. 42)

15. Shutter speed adjustment :

Make it sure that the slow governor is not engaged when the shutter is released at such high speed from 1/1000 to 1/60. If the slow governor is engaged, adjust by rotating the eccentric pin of the slow adjustment lever (1/8 adjustment) so that the slow gear may not engage. The shutter curtain speed variation must be in the order of 30%.

- Measure the shutter velocity at 1/60 sec. Adjust by means of the second shutter curtain spring so as to obtain the curtain time from 13.5 to 14mm sec.
- Adjust the forward and backward openings by the spring of the first shutter curtain.
- Measure the shutter speed at 1/500 sec. Adjust the shutter speed by means of the eccentric pin.
- Measure the shutter speed at 1/1000 sec. Adjust the shutter speed through the hole of the shutter dial and also confirm the shutter curtain velocity variation.
- Also check the shutter speed at 1/250 sec., 1/125 sec. and 1/60 sec.
- Measure the shutter speed at 1/8 sec. Adjust the slow adjustment eccentric pin of the slow governor.
- Also check the shutter speed at 1 sec., 1/2 sec., 1/4 sec. and 1/15 sec.
- Measure the shutter speed at 1/30 sec. Adjust the split pin of the slow speed cam (2015).
- Check and adjust bulb, time and shutter curtains bound.

Fig. 71 1/1000 sec adjusting hole

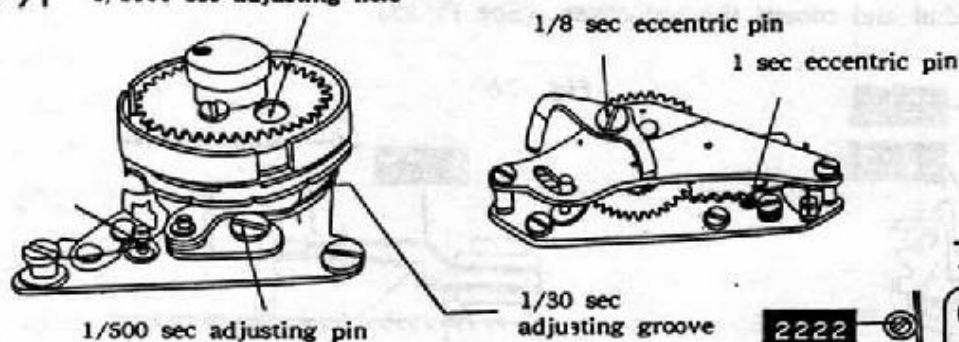
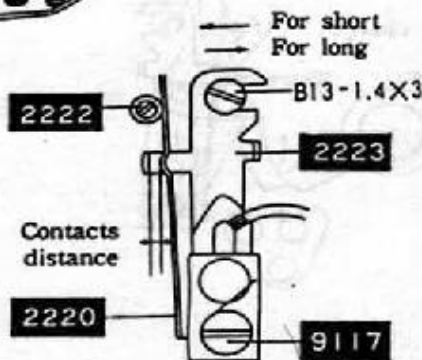


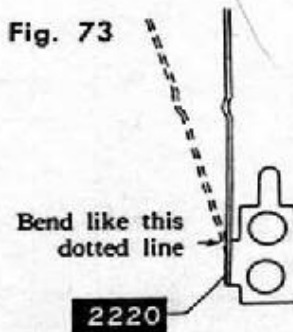
Fig. 72



16. Adjustment of time lag :

- * When FP time lag is too short, loosen the setscrew (B13-1.4X3) of the FP earth contactor (2223) attached to the underside of the shutter base plate-A and push the earth contactor (2223) in the direction opposite to the terminal side of the FP contactor (2220) so that the terminal distance between the earth contactor (2223) and the FP contactor (2220) may be shortened.
- * When FP time lag is too long, widen the terminal distance between the earth contactor (2223) and the FP contactor (2220).
- * When the contact efficiency is too low, bend

Fig. 73



the waist portion of the FP contactor (2220) so as to increase the contact pressure.

- * When switching-in of X time lag is too soon, adjust the contactor distance as is the case of FP adjustment. Remove the front base frame and widen the distance between the X-contactor-B (2217) of the X-contactor holder (2211 set) and the X-contactor-A (2215).
- * When switching-in of X time lag is too slow, shorten the distance between the X-contactor-B and A (2217, 2215).
- * When the contact efficiency of X contactor is low bend the waist portion of the X-contactor-B (2217) so as to increase the contact pressure.

17. Conduct current test.

18. Intermediate terminal distance adjustment. When the shutter is charged, it happens sometimes that the FP contactor (2220) of the FP terminal comes to contact with the FP earth contactor (2223), resulting in short-circuiting. Therefore, the distance between the earth contactor (2223 set) from the front side of the camera body must be so adjusted to be in the order of 1 to 1.2mm as illustrated in the figure.

19. Remove the shutter dial and mount the top cover. (See P. 25)

Fig. 74

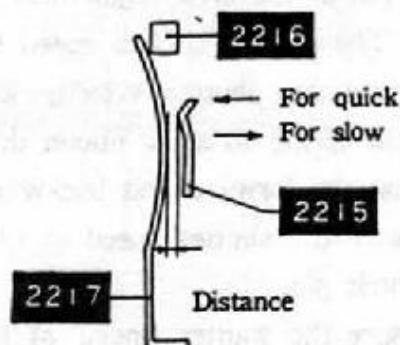


Fig. 75

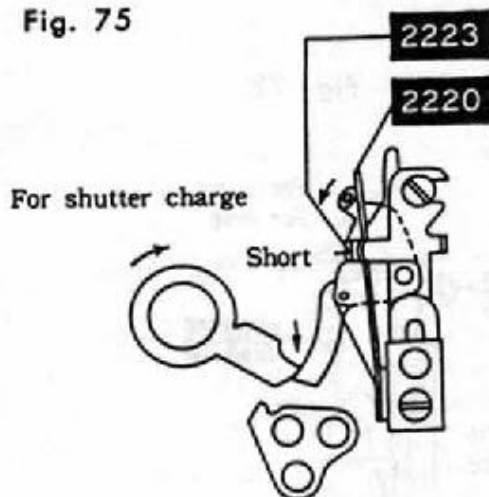
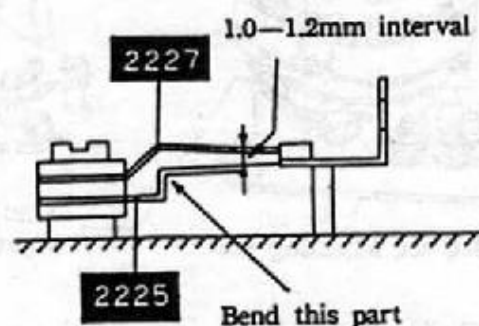


Fig. 76



I. Mounting of Winding base plate

1. Open the back cover and align the operation nail base plate(3406) of the wind-up base plate(3023 set) with the projection portion of the film spool shaft(3031) and hold it in position by two setscrews (B13-2×3.3).
2. Mount the idle support bearing(3165) setscrews(B13-1.7×2).

3. Engage the counter returning spring (3411) the under of the counter dial with the slot of the counter release lever axis(9270) and rotate in the counterclock-wise direction the counter dial. Then close the back cover.
4. Attach to the winding stopper (3027), the dial stopper supporter-B(9107), over which is positioned and held firmly by two set-screws(B21-1.7×3), the stopper unflexing plate(3168 set).

5. When the winding lever is mounted and winding is made a few times, wind-up cannot be made smoothly. In this case, iron powder or the like is dust within the idle gears, sprocket gears, etc. Therefore, clean such components so as to let them free from such foreign material.

6. If shock is felt when winding is made and when the shutter button is released, remove the counter dial component. Then insert a driver from the hole of the wind-up base plate(3023 set) and rotate the reversing stop nail axis(9263) for adjustment, the stop nail axis being observed from the opening. (See Fig 78)

7. Adjustment of counter dial :

Open the back cover and return the counter dial to the S position. Loosen one setscrew (B21-1.7×3.5) of the stopper unflexing plate(3168) and withdraw the counter dial stopper (3453) to its full extent of adjustment outwardly of the camera body. Then close the back cover, then the counter stop nail(3408) is fitted in the counter ratchet gear(3404) as shown in the figure 78. From this state, move the counter dial stopper(3453) slowly

Fig. 77

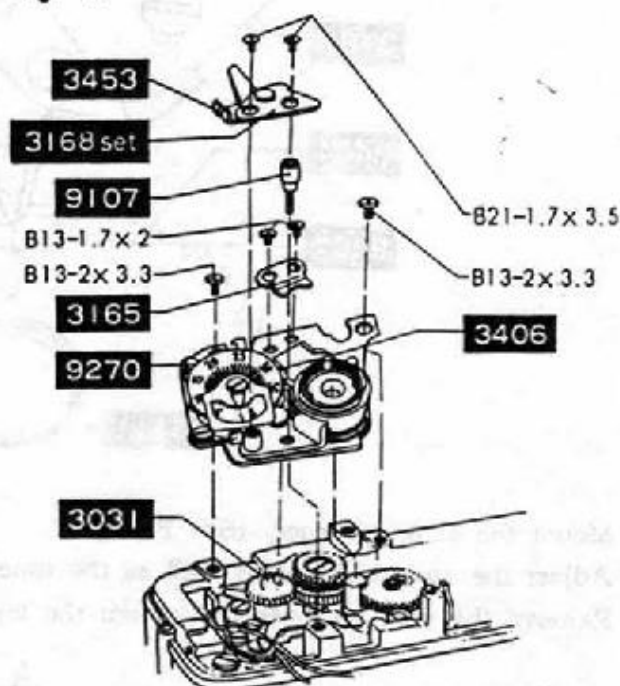
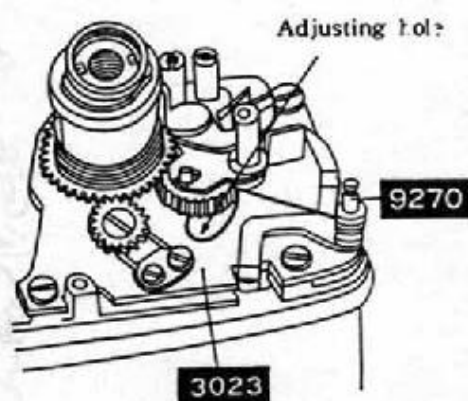
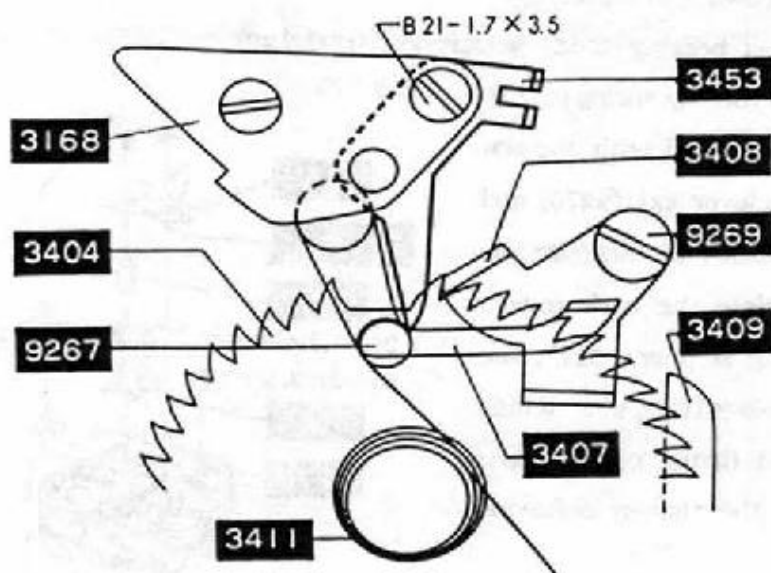


Fig. 78



toward the inside of the camera body, then the stopper(3453) pushes the dial stop pin (9267) so that the ratchet gear(3404) is caused to rotate. When the stop nail(3408) falls into the first tooth of the ratchet gear(3404), tighten the setscrew(B21-1'7×3.5) of the stopper unflexing plate (3168).

Fig. 79



8. Mount the slow governor. (See P. 45)
9. Adjust the shutter speed as well as the time lag. (See P. 47)
10. Remove the winding lever and mount the top cover. (See P. 25)



J. Mounting of Film take-up spool

1. Open the back cover and place the decoration ring spring washer (3039) and the spool decoration ring (3037) upon the film spool (3032). In this state, assemble them into the camera body.
2. Insert the film spool shaft (3031 set) from the upward of the camera body and hold it in such position where the elongated slot of the film spool (3032) may be facing upwardly. Then, rotate the spool shaft (3031 set) and align the hole of the film spool (3032) and the threaded hole of the spool shaft (3031 set) so as to screw one setscrew (B21-1.7×4.5) for mounting. Hold in position the spool gear (3162) and then rotate in the clockwise direction on the film spool (3032) so as to align the notch portion of the film spool (3032) with the tapped hole for screwing one setscrew (B51-1.7×2.5).
3. Arrange and dispose the projection of the spool shaft (3031) to face in the right lateral direction and mount at the bottom of the camera body the charge cam (3041 set) as indicated in the figure. Then, tighten the spool shaft nut (9415).
4. Mount the winding base plate. (See P. 49)
5. Mount the slow governor. (See P. 45)
6. Mount the top and bottom covers. (See P. 25)



Fig. 80

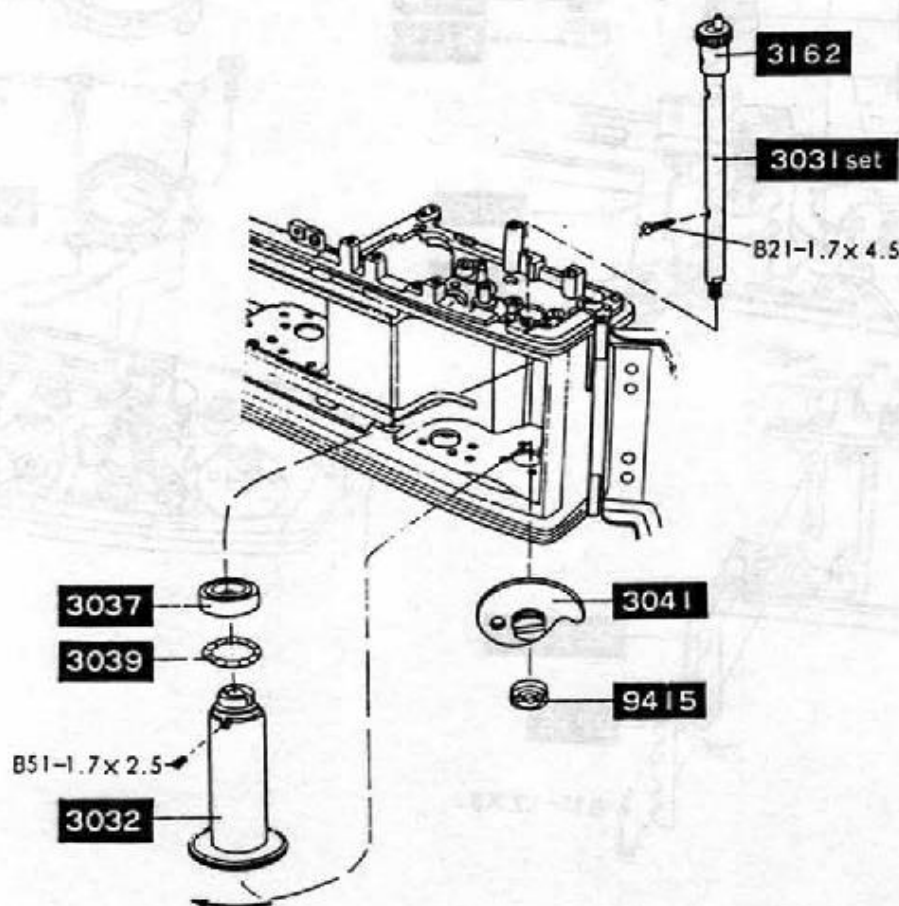
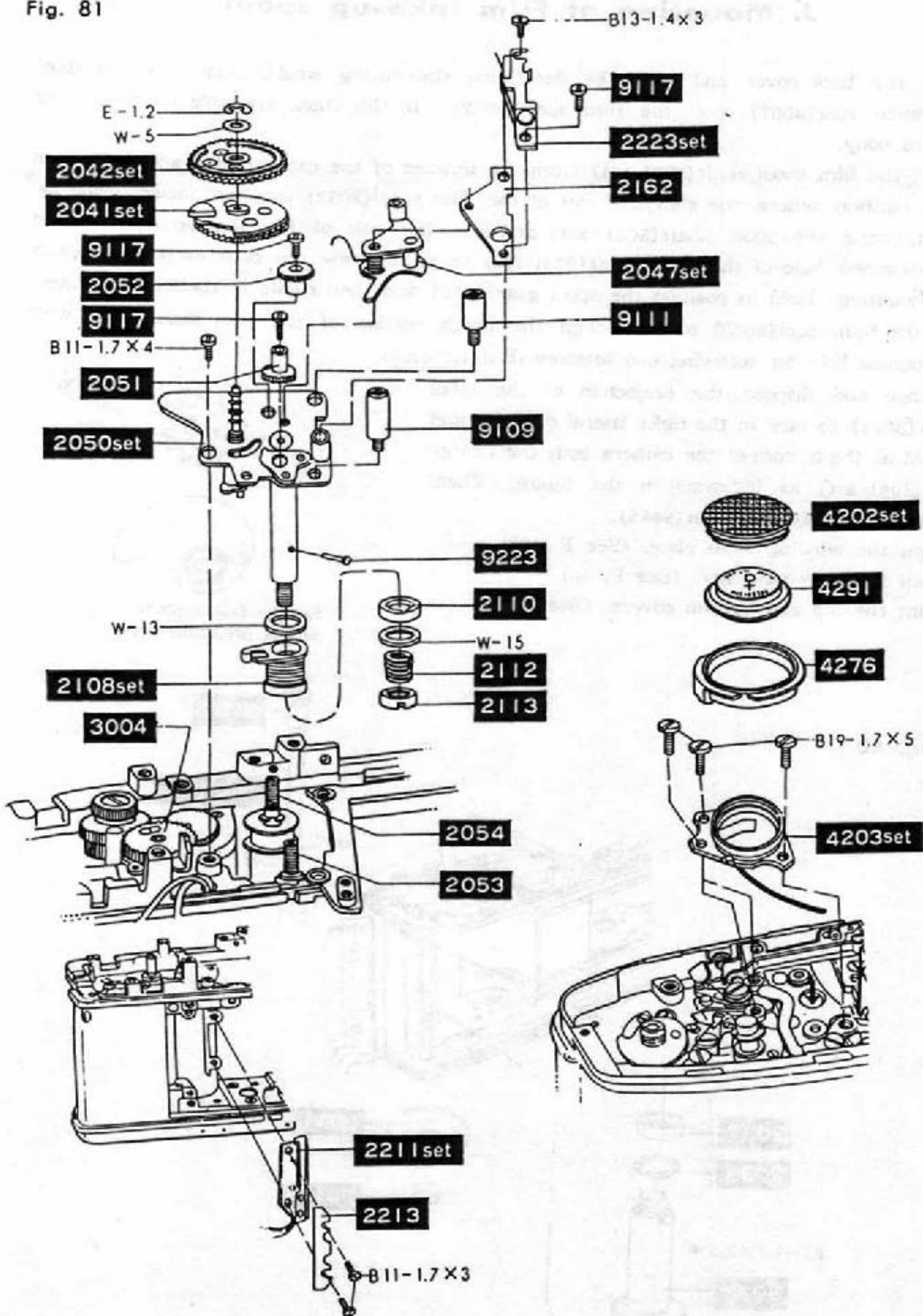


Fig. 81

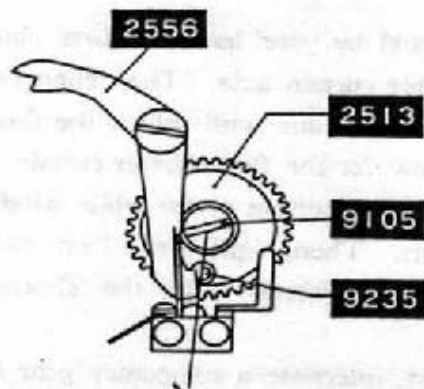


K. Mounting of Shutter base plate-B

1. Insert the adjustment washers into the first and second curtain spring shaft(2060, 2061) and position the first curtain bound stop lever(2101) of the shutter base plate-B(2050 set) at a position indicated in the figure. Fit the first and second curtain spring shaft(2060, 2061) into the holes of the shutter base plate-B(2050 set) and hold them in position by three setscrews(B11-1.7×4, 9109 and 9111).
2. Pass the ribbons of the second shutter curtain transversely of the bound stop lever axis (2102 set) below the shutter base plate-B.
3. Hook the spring of the starting lever (2047 set) to the base plate-B setscrew (9111) and mount the starting lever(2047 set). Hold it so that it may not be taken off and hold the starting lever axis bearing plate(2162) and the FP earth contactor(2223 set) in position by two setscrews(B13-1.4×3, 9117). Place the earth contactor(2223 set) at such a position as indicated in the figure.
4. Attach the first shutter curtain gear(2051) to the curtain spring shaft (2060) as indicated in the figure and tighten the curtain gear setscrew (9117).
5. Attach the second shutter curtain gear(2052) to the curtain spring shaft (2061) as indicated in the figure and tighten the curtain gear setscrew (9117).
6. Make it sure that the pin of the mirror kick gear (2513) of the body bottom be placed at such a position as indicated in the figure and also dispose the bound stop lever (2101) to the base plate-B(2050 set) at such a position as indicated in the figure. Then wind the second shutter curtain axle and stop the second shutter curtain gear (2052) by your finger with the end of the second shutter curtain being aligned with the marking-off line on the left side. Then

Set position of mirror kick gear:

Fig. 86



The edge of release lever must on straight line

Fig. 82

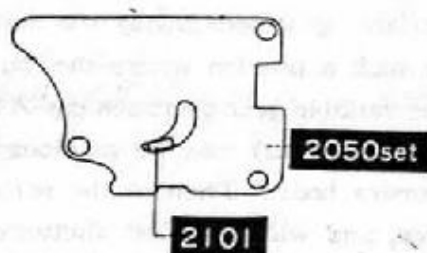


Fig. 83

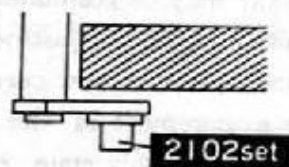


Fig. 84

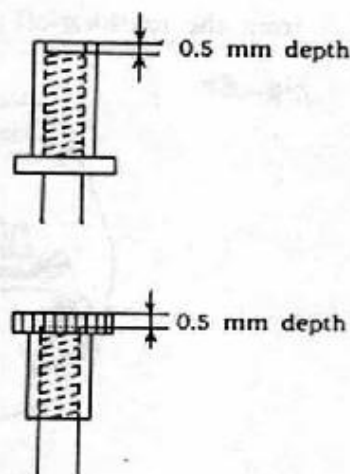
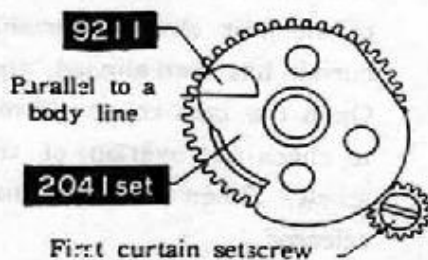
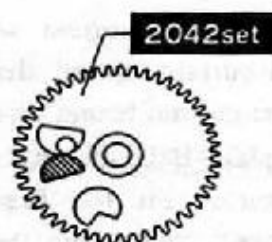


Fig. 85



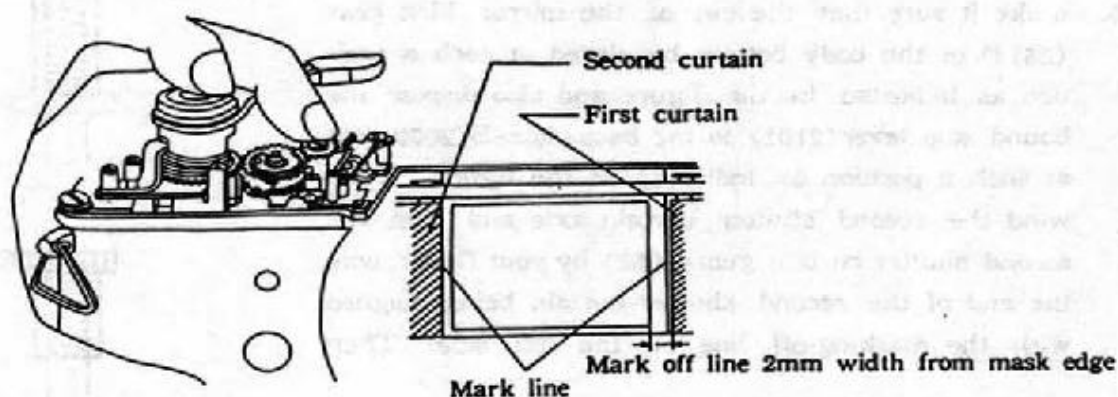
wind the first shutter curtain axis so that the seam line of the first shutter curtain may be aligned with the marking-off line. In this state, stop by your finger the curtain spring shaft(2060). Insert into the variable gear axis(2045) the variable gear(2041 set) in such a position where the straight line portion of the variable gear operation pin-A(9211) of the variable gear(2041 set) may be positioned in parallel with the camera body. Then let the parts held by your finger free, and wind the first shutter curtain axis and lock by means of starting lever.

Fig. 87



7. Wind up the second shutter curtain shaft in such a manner that the end of the second shutter curtain may be aligned with the seam line of the first shutter curtain. Then, insert the driving gear(2042) as shown in figure and also insert washer(W-5) and coupling washer(E-1.2) too.
8. Withdraw the starting lever and release the shutter. Loosen the kick gear bush setscrew(9105-B) located at the bottom of the camera body so that the pin of the mirror kick gear(2513) may be positioned at the center of the change-over switch as illustrated in the figure.
9. Shutter curtain adjustment :
Wind up the shutter curtains and hold by your finger the driving gear(2042). Then, release the engagement of the starting lever, then the first shutter curtain will be caused to run. Maintaining this state, check which of the first and second shutter curtains is deviated from the marking-off line marked on the camera body.

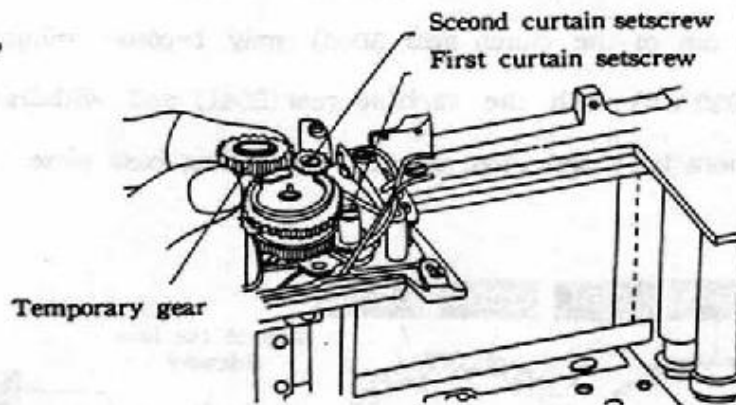
Fig. 88



- a) When the first shutter curtain is deviated, hold by your hand the first shutter curtain axle and loosen the screw for the first shutter curtain axle. Then align the seam line of the first shutter curtain with the marking-off line with which the second shutter curtain has been aligned, and tighten the screw for the first shutter curtain temporarily. Open the back cover and rotate the second shutter curtain screw while winding in order to check the overlap of the shutter curtains. Then, tighten the first shutter curtain screw. Then second shutter curtain screw is tightened after the shutter has been released.
- b) When the second shutter curtain is deviated, interpose a temporary gear between the

driving gear and the second shutter curtain gear setscrew and wind up after loosening slightly the second shutter curtain gear setscrew. Loosen also the first shutter curtain gear setscrew slightly and hold the second shutter curtain shaft in such a manner that the marking-off line of the second shutter curtain may be seen. Then, loosen the second shutter gear setscrew further so as to rotate the second shutter curtain axis. Tighten temporarily the second shutter curtain gear setscrew at such a position where the end of the second shutter curtain is aligned with the marking-off line.

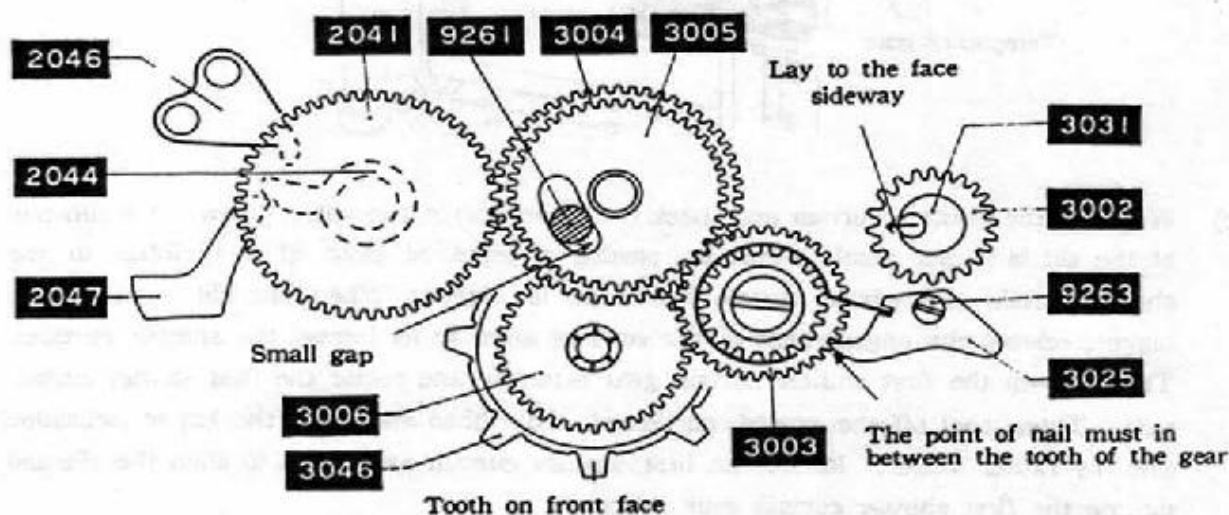
Fig. 89



- c) Wind up the shutter curtain and check the inclination of the slit. When the inclination of the slit is rather small, adjust by pasting a piece of cloth of the ribbon to the shutter curtain axis whose curtain inclination is bigger. When the slit inclination is bigger, release the engagement of the starting lever so as to travel the shutter curtains. Then, loosen the first shutter curtain gear setscrew and rotate the first shutter curtain axis. Then, peel off the pasted portion of the ribbon and paste the larger inclination side by rather longer. Rotate the first shutter curtain axis so as to align the slit and tighten the first shutter curtain gear setscrew.
 - d) Check if the upper and lower sides of the first and second shutter curtains have slack. When there exists slack in the first shutter curtain, release the shutter first, and then adjust by pasting a piece of cloth of the ribbon over the ribbons of the first shutter curtain shaft which have slack. When there is slack in the second shutter curtain, charge the shutter and adjust by pasting a piece of cloth of ribbon over the ribbon of the second shutter curtain spring cylinder which has slack.
10. Insert into the speed dial click plate(2017) the washer(W-13) and also align and insert the transmit tube-A(2108 set) into the bound stop lever axis pin(9220). Then, fit the friction ring stopper(9223) into the hole. Align the elongated slot of the inner side of the friction ring(2110) with the head of the stopper(9223) and then insert the washer(W-15) and the brake spring(2112). Next tighten the brake spring adjusting nut(2113) until the adjusting nut(2113) may be located in the same plane with the bound stop shaft(2107).
 11. Arrange in juxtaposition two lead wires of the X-contactor holder(2211 set) so that they may not overlay on each other and in such a manner they may run along the camera body. Place a cut out portion of the holder(2211 set) over the insulating tube of the transmit tube-A(2108) and then mount the holder(2211 set) and the adjusting nut(2213) by two setscrews(B11-1.7X3).

12. Wind up the shutter curtains and open the back cover. Then, rotate the sprocket so as to position the sprocket teeth to be directed toward you, and engage the reversing stop nail (3025) into the idle gear (3003). Also place the projection of the film spool shaft (3031) in the right lateral direction. In this state, place the clutch gear (3005) of the shutter release shaft (3028 set) in such a position as indicated by the figure and press down the release shaft (3028 set) downwardly so that the distance between the oval hole of the shutter gear (3004) and the pin of the clutch gear (3005) may become minimum. Then, engage the release shaft (3028 set) with the variable gear (2041) and withdraw the lead wires forwardly of the camera body and then mount the winding base plate. (See P. 49)

Fig. 90



13. Mount the shutter base plate-A and the slow governor. (See P. 45)
14. Mount the front base frame. (See P. 35)
15. Mount view-finder and meter block. (See P. 27)
16. Adjust the shutter speeds and time lag. (See P. 47)
17. Check the synchro contact and adjust the distance between the middle contactors.
18. Adjustment of the brightness:
- Switch "ON" the change switch of the bottom cover and mount of the camera body. Set the ASA100, shutter speed to 1 sec., Standard F1.4/58mm MC lens with its aperture being set to F5.6 (EV 5) then set the light luminescence box to EV 5, and look through the view-finder to check if the meter needle comes to rest at the center of the ring of the following needle. Also set the ASA 100, shutter speed 1/500 sec., F5.6 (EV 14) then set the light luminescence box to EV 14 and check as same above mentioned.

Intermediate check points:

Check if the meter needle comes to rest within the outer periphery of the following needle (allowance in ± 0.3 EV) at the following two points.

EV 8 (ASA 100, 1/8 sec., F5.6)

EV 11 (ASA 100, 1/60 sec., F5.6)

when the meter needle deviates out of the outer periphery deviate the EV 5 and EV 14 points so that the intermediate points may come to rest within the permissible range. Switch to B.C. the change-over switch of the bottom cover and look through the viewfinder. Rotate for adjustment the semi-fixing resistor for battery checker of bottom side of camera body, so that the meter needle comes to rest at the check point as illustrated in the Figure 92.

Fig. 91

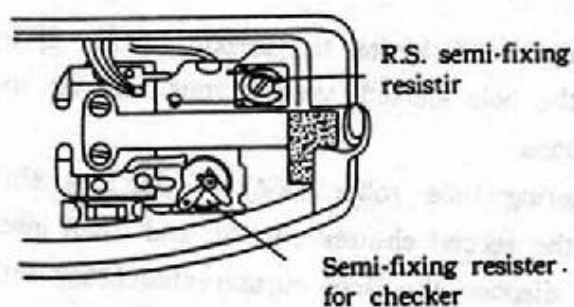


Fig. 92



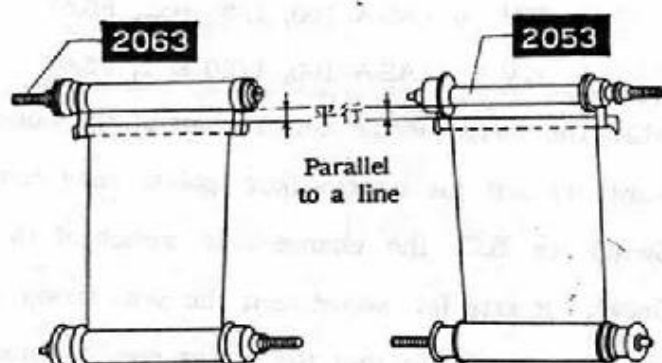
19. Mount the top and bottom covers.

L. Mounting of Shutter curtains

Check points before mounting :

* In order to check if the shutter curtains are installed in parallel, rotate the first curtain shaft(2053) in the clockwise direction as indicated in the figure so as to wind up the first shutter curtain and also check and make it sure that there is no relative inclination between the end of the first shutter curtain and the curtain shaft(2053). In the similar manner, rotate the second curtain spring tube

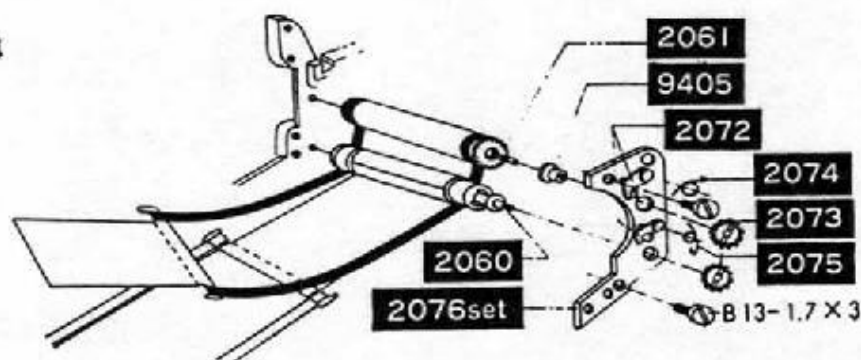
Fig. 93



(2063) in the clockwise direction to wind up the second shutter curtain and check and make it sure that there is no relative inclination between the curtain shaft(2053) and the second shutter curtain.

1. Place the camera body upright and locate the second curtain spring shaft(2061) of the second shutter curtain into the hole located toward your side as indicated in the figure. Then, slack a little the ribbons.
2. Arrange and dispose the spring tube roller(2066) of the first shutter curtain so as to overlay on the ribbons of the second shutter curtain, and then insert into the hole of the camera body. Arrange and dispose the first curtain shaft(2053 set) of the first shutter curtain so as to pass between the ribbon of the second shutter curtain and further pass downwardly as illustrated curtain and further pass downwardly as illustrated in the figures.
3. Insert the spring tube collar-B(9405) into the second curtain spring shaft(2061) of the second shutter curtain, then withdraw the curtain spring adjusting nail(2072) of the spring tube lower plate(2076 set) to such a position as indicated by the figure. Then insert the lower plate(2076 set) into the first and second curtain spring shafts(2060, 2061) and secure in position by two setscrews (B13-1.7×3).
4. Two curtain spring adjusting nail ratchets(2073) (left handed screw) into the first and second curtain spring shafts(2060, 2061) and then hook the nail ratchet spring-A and B(2074, 2075) with the adjusting nails(2072). Rotate the both spring shafts(2060, 2061) for a few turns so as to wind up the shutter curtains.

Fig. 94

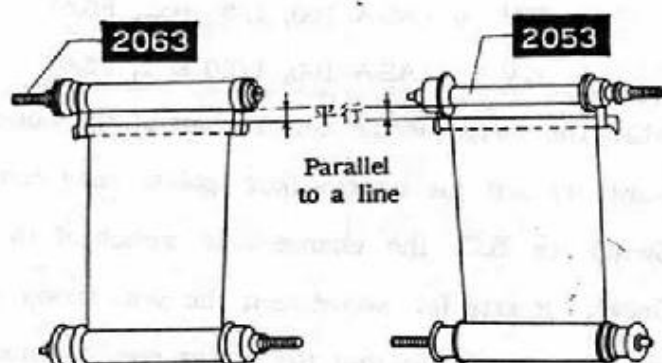


L. Mounting of Shutter curtains

Check points before mounting :

* In order to check if the shutter curtains are installed in parallel, rotate the first curtain shaft(2053) in the clockwise direction as indicated in the figure so as to wind up the first shutter curtain and also check and make it sure that there is no relative inclination between the end of the first shutter curtain and the curtain shaft(2053). In the similar manner, rotate the second curtain spring tube

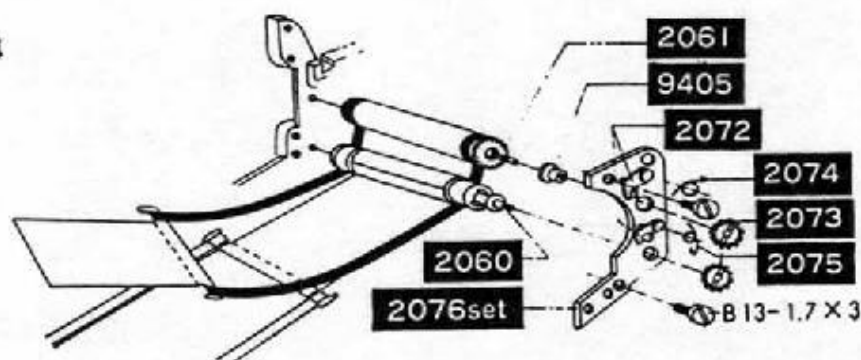
Fig. 93



(2063) in the clockwise direction to wind up the second shutter curtain and check and make it sure that there is no relative inclination between the curtain shaft(2053) and the second shutter curtain.

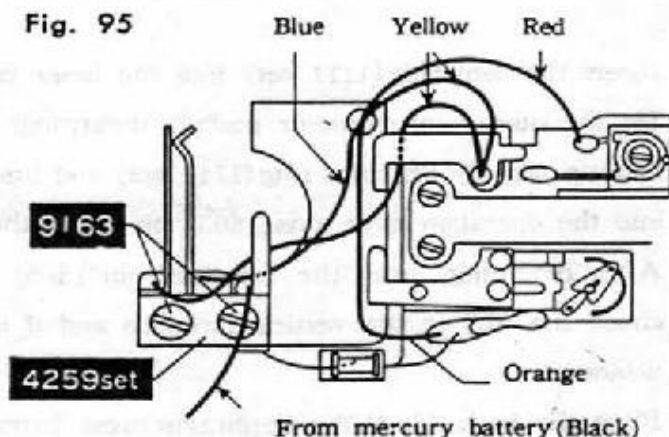
1. Place the camera body upright and locate the second curtain spring shaft(2061) of the second shutter curtain into the hole located toward your side as indicated in the figure. Then, slack a little the ribbons.
2. Arrange and dispose the spring tube roller(2066) of the first shutter curtain so as to overlay on the ribbons of the second shutter curtain, and then insert into the hole of the camera body. Arrange and dispose the first curtain shaft(2053 set) of the first shutter curtain so as to pass between the ribbon of the second shutter curtain and further pass downwardly as illustrated curtain and further pass downwardly as illustrated in the figures.
3. Insert the spring tube collar-B(9405) into the second curtain spring shaft(2061) of the second shutter curtain, then withdraw the curtain spring adjusting nail(2072) of the spring tube lower plate(2076 set) to such a position as indicated by the figure. Then insert the lower plate(2076 set) into the first and second curtain spring shafts(2060, 2061) and secure in position by two setscrews (B13-1.7×3).
4. Two curtain spring adjusting nail ratchets(2073) (left handed screw) into the first and second curtain spring shafts(2060, 2061) and then hook the nail ratchet spring-A and B(2074, 2075) with the adjusting nails(2072). Rotate the both spring shafts(2060, 2061) for a few turns so as to wind up the shutter curtains.

Fig. 94



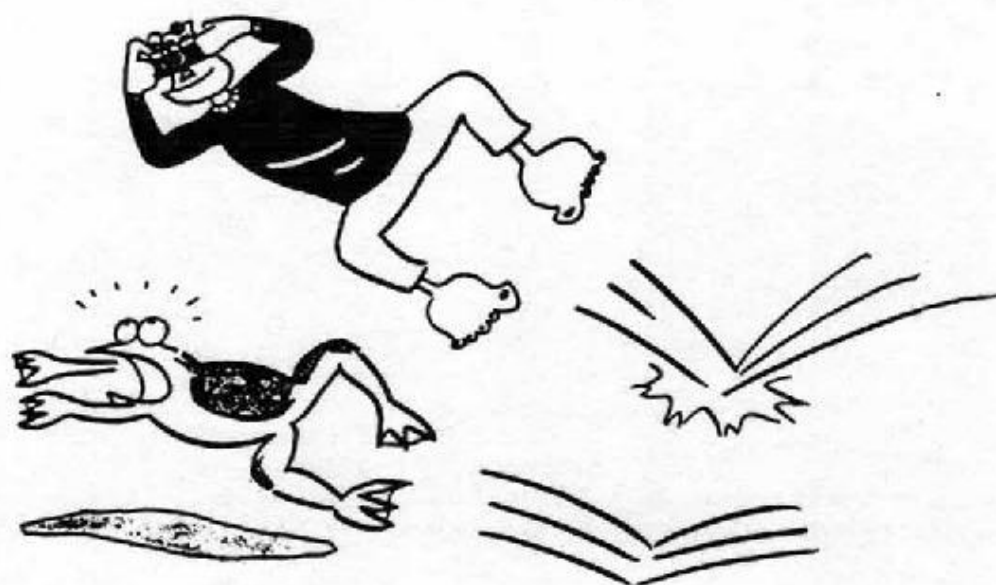
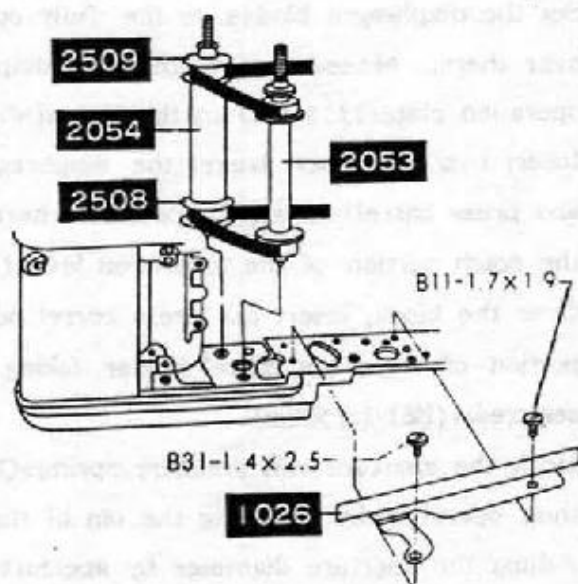
5. Mount the counter isolation base (4059 set) by two setscrews (9163) and solder the lead wire (yellow colored) of the isolation base (4259 set) as illustrated in the figure. Insert the lead wires (yellow, red, orange and blue colored) into the openings of the camera body and pull them out of the hole of the spring tube lower plate (2076 set). Then, solder them in position as illustrated in the figure. Also solder in position the fixed resistor as illustrated in the figure.

Fig. 95



6. Engage the reversion lever spring (2523) with the pre-set lever stopper (2507). Insert the pre-set lever-A (2504) into the opening at the lower side of the camera body as indicated in the figure. Engage the ribbons of the first shutter curtain with the first curtain roller-A and B (2058, 2059) of the second shutter curtain, and then insert the first curtain shaft (2053) into the hole on your side.
7. Stand uprightly the camera body and mount the light shield plate (1026) by means of two setscrews (B11-1.7x3, 9129).
8. Mount the shutter base plate-B.

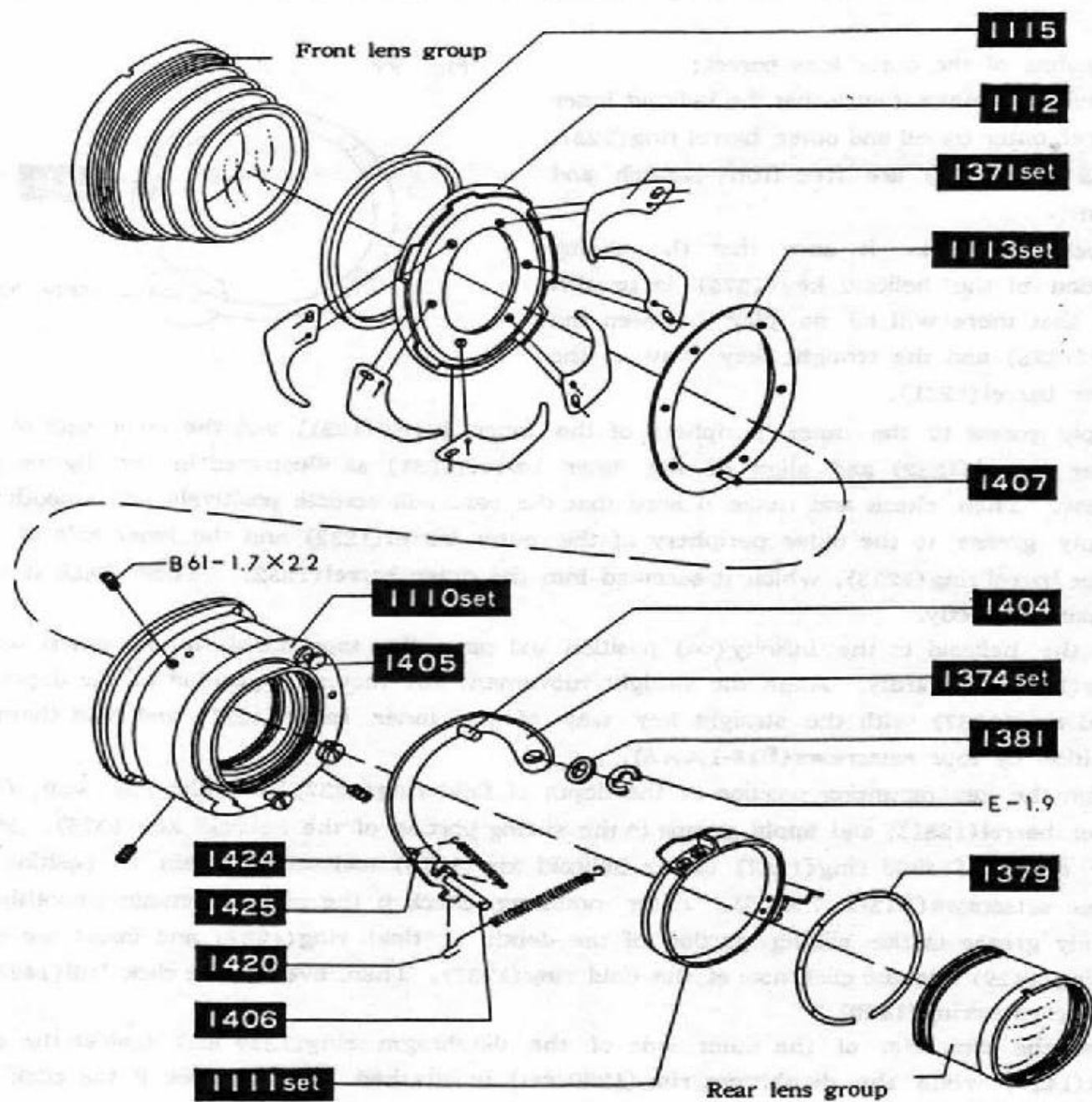
Fig. 96



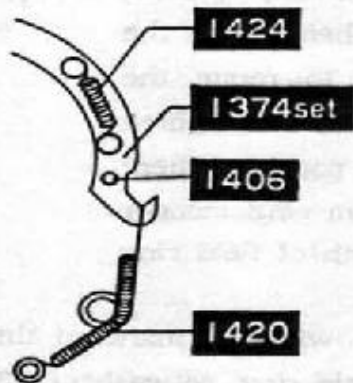
M. Assembly of Lens inner barrel

1. Insert the cam ring(1111 set) into the inner barrel(1110 set) and check its actuation.
2. Set the minimum diameter position determining jig to the inner barrel(1110 set).
3. Lift up slightly the cam ring(1111 set) and insert the diaphragm operation lever(1374 set) into the operation lever axis(1405) on which the coupling washer(E-1.9) must be attached. After mounting, hold the interlock pin(1406) of the operation lever(1374 set) so as to check the play in the vertical direction and if the play is too much, adjust by inserting the washer.
4. Place the back side of the diaphragm press barrel(1112) upwardly. Check if the diaphragm blade(1371), six blades are free from or stains and then insert them into the hole of the press barrel(1112) by means of pincette.
5. Set the diaphragm blades to the fully opened state and fit the operation plate(1113 set) over them. Make it sure that the diaphragm blades actuate smoothly by moving the operation plate(1113 set) in the lateral direction.
6. Insert into the inner barrel the diaphragm blade block(operation plate, diaphragm blades and press barrel) in such a position where the pin of the operation plate may be fitted into the notch portion of the operation lever(1374 set) which has been set in the inner barrel. Over the block, insert the press barrel holder(1115) into the inner barrel with the tapered portion of the press barrel holder facing outwardly and then secure temporarily by three setscrews(B61-1.7×2.2).
7. Hook the aperture and pressure springs(1420, 1424) as illustrated in the figure and check their operation by actuating the pin of the operation lever(1374 set).
8. Adjust the aperture diameter by aperture diameter adjuster.
9. Clean the front lens component and the rear lens component and mount them into the inner barrel.

Fig. 97



Figl 98

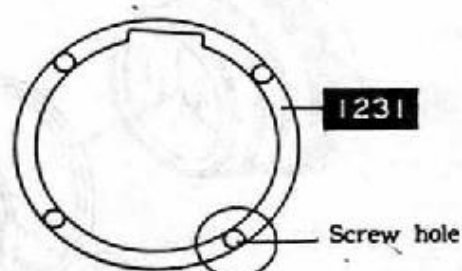


N. Assembly of Outer lens barrel

Check points of the outer lens barrel :

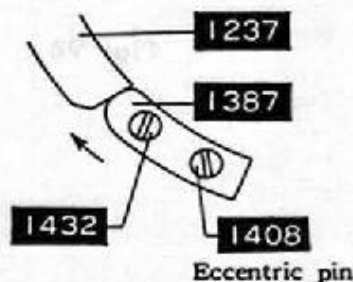
- * Check and make it sure that the helicoid inner barrel, outer barrel and outer barrel ring (1231, 1232 and 1233) are free from scratch and stain.
- * Check and make it sure that the sliding portion of the helicoid key (1375) is parallel and that there will be no play between the key (1375) and the straight key way of the inner barrel (1231).

Fig. 99



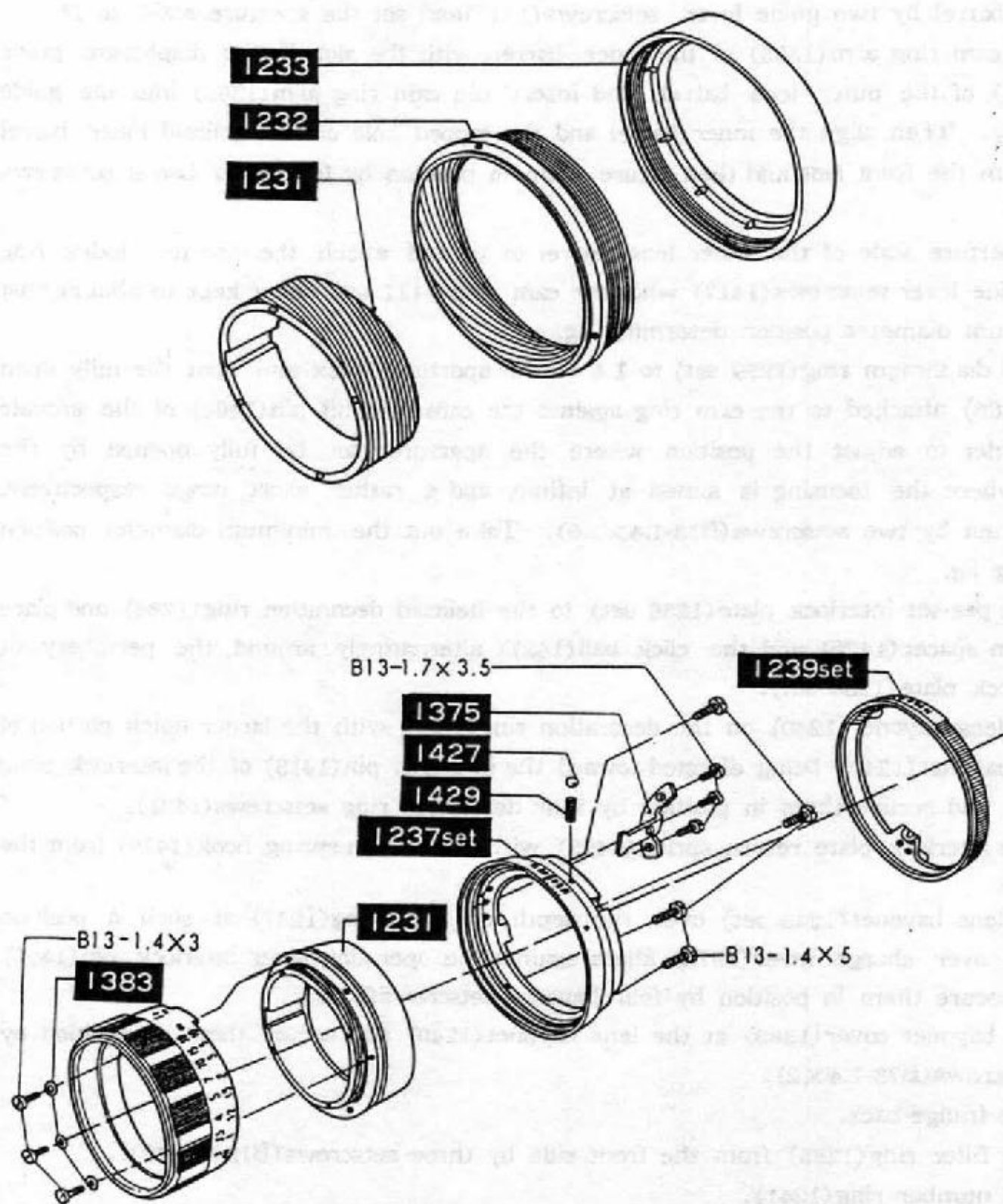
1. Apply grease to the outer periphery of the inner barrel (1231) and the inner side of the outer barrel (1232) and align of the inner barrel (1231) as illustrated in the figure and screw. Then, check and make it sure that the part will actuate positively and smoothly.
2. Apply grease to the outer periphery of the outer barrel (1232) and the inner side of the outer barrel ring (1233), which is screwed into the outer barrel (1232). Then check if they actuate correctly.
3. Set the helicoid to the infinity (∞) position and place the tapped hole of the outer barrel ring (1233) upwardly. Align the straight movement key mounting position of the depth of field ring (1237) with the straight key way of the inner barrel (1231) and hold them in position by four setscrews (B13-1.4 \times 5).
4. Align the key mounting position of the depth of field ring (1237) with the key way of the inner barrel (1231), and apply grease to the sliding portion of the helicoid key (1375). Place the depth of field ring (1237) to the helicoid key (1375) and secure them in position by three setscrews (B13-1.7 \times 3.5). After mounting, check if the moving actuate smoothly.
5. Apply grease to the sliding portion of the depth of field ring (1237) and insert the click spring (1429) into the click hole of the field ring (1237). Then, overlay the click ball (1427) on the click spring (1429).
6. Push the click slot of the inner side of the diaphragm ring (1239 set) against the click ball (1427) while the diaphragm ring (1239 set) is attached. Then, check if the click can actuate correctly.
7. Rotate the diaphragm ring (1239 set) and set to aperture scale of F1.4. Then, loosen the stopper setscrew (1432) so as to rotate the stopper pin (1408) (eccentric pin) and tighten the setscrew (1432) in such a position where the tip end of the diaphragm ring stopper (1387) abuts against the depth of field ring (1237).

Fig. 100



8. Align the distance scale (1236) with the mark of the helicoid inner barrel (1221) from the front side and attach the scale ring setwasher (1383) to three setscrews (B13-1.4 \times 3) respectively and then mount the distance scale (1236).

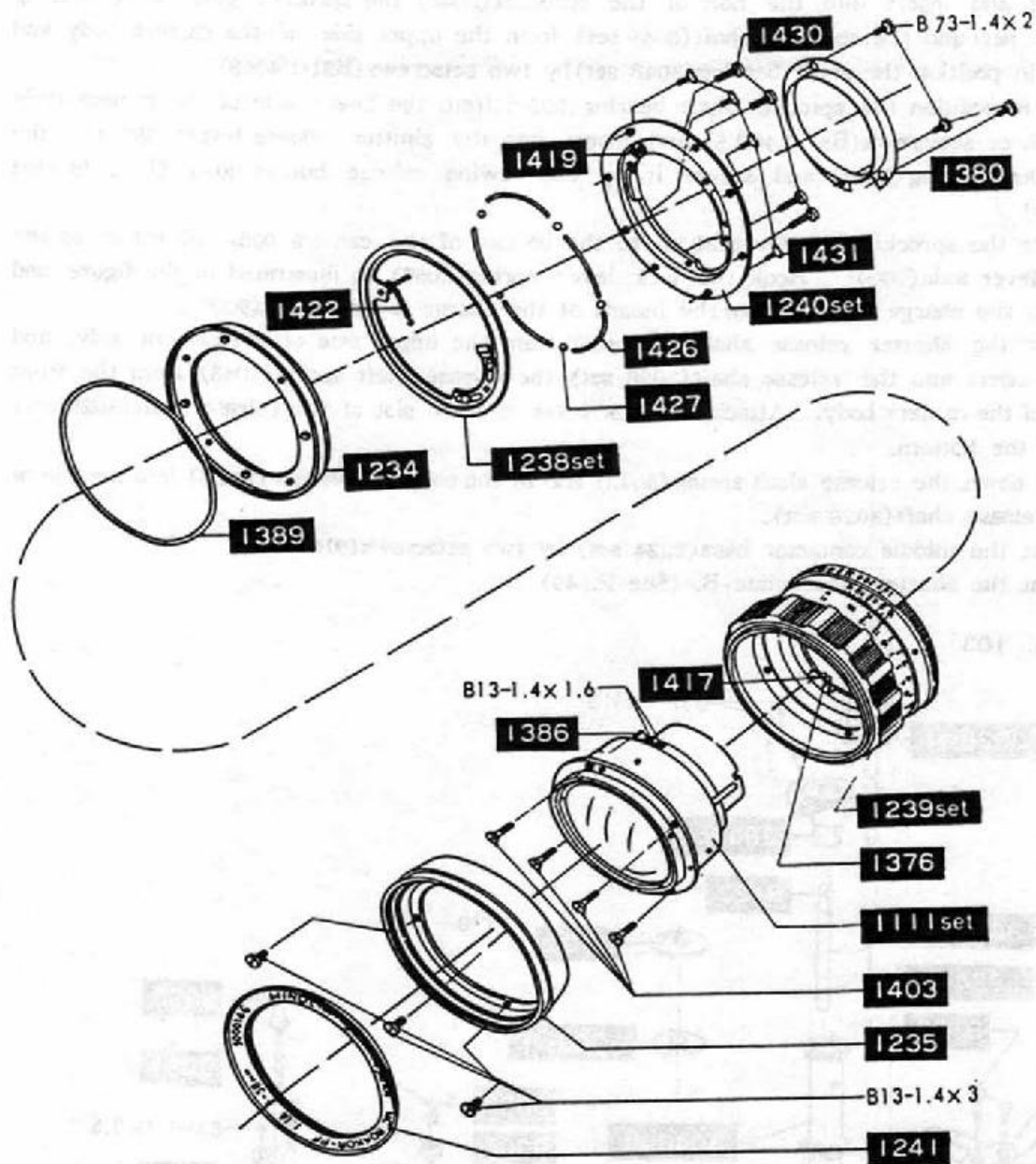
Fig. 101



O. Assembly and mounting of Inner barrel and Outer lens barrel

1. Secure the inner barrel temporarily by two setscrews(B13-1.4x1.6) and contact the cam-ring(1111 set) with the minimum diameter position determining jig. Secure temporarily the outer barrel by two guide lever setscrews(1417)and set the aperture scale to 16.
2. Align the cam ring arm(1385) of the inner barrel with the slot of the diaphragm guide lever(1376) of the outer lens barrel, and insert the cam ring arm(1385) into the guide lever(1376). Then align the inner barrel and the tapped hole of the helicoid inner barrel (1231) from the front side and then secure them in position by four inner barrel setscrews (1403).
3. Set the aperture scale of the outer lens barrel to 16 and attach the aperture index ring by two guide lever setscrews(1417) with the cam ring(1111 set) being kept to abut against the minimum diameter position determining jig.
4. Rotate the diaphragm ring(1239 set) to 1.4 of the aperture index and abut the fully open stopper(1386) attached to the cam ring against the cam ring hit pin(1404) of the arcuate lever in order to adjust the position where the aperture can be fully opened by the positions where the focusing is aimed at infinity and a rather short range respectively. Then, tighten by two setscrews(B13-1.4x1.6). Take out the minimum diameter position determining jig.
5. Attach the pre-set interlock plate(1238 set) to the helicoid decoration ring(1234) and place the rotation spacer(1426) and the click ball(1427) alternately around the periphery of the interlock plate(1238 set).
6. Place the lens bayonet(1240) on the decoration ring(1234) with the larger notch portion of the lens bayonet(1240) being directed toward the interlock pin(1413) of the interlock plate (1238 set) and secure them in position by four decoration ring setscrews(1431).
7. Engage the interlock plate return spring(1422) with the return spring hook(1419) from the front side.
8. Place the lens bayonet(1240 set) over the depth of field ring(1237) at such a position where the over charge lever(1373) abuts against the operation lever interlock pin(1406) and then secure them in position by four bayonet setscrews(1430).
9. Place the bayonet cover(1380) at the lens bayonet(1240) and secure them in position by three setscrews(B73-1.4x2).
10. Adjust the frange-back.
11. Mount the filter ring(1235) from the front side by three setscrews(B13-1.4x3).
12. Mount the number ring(1241).

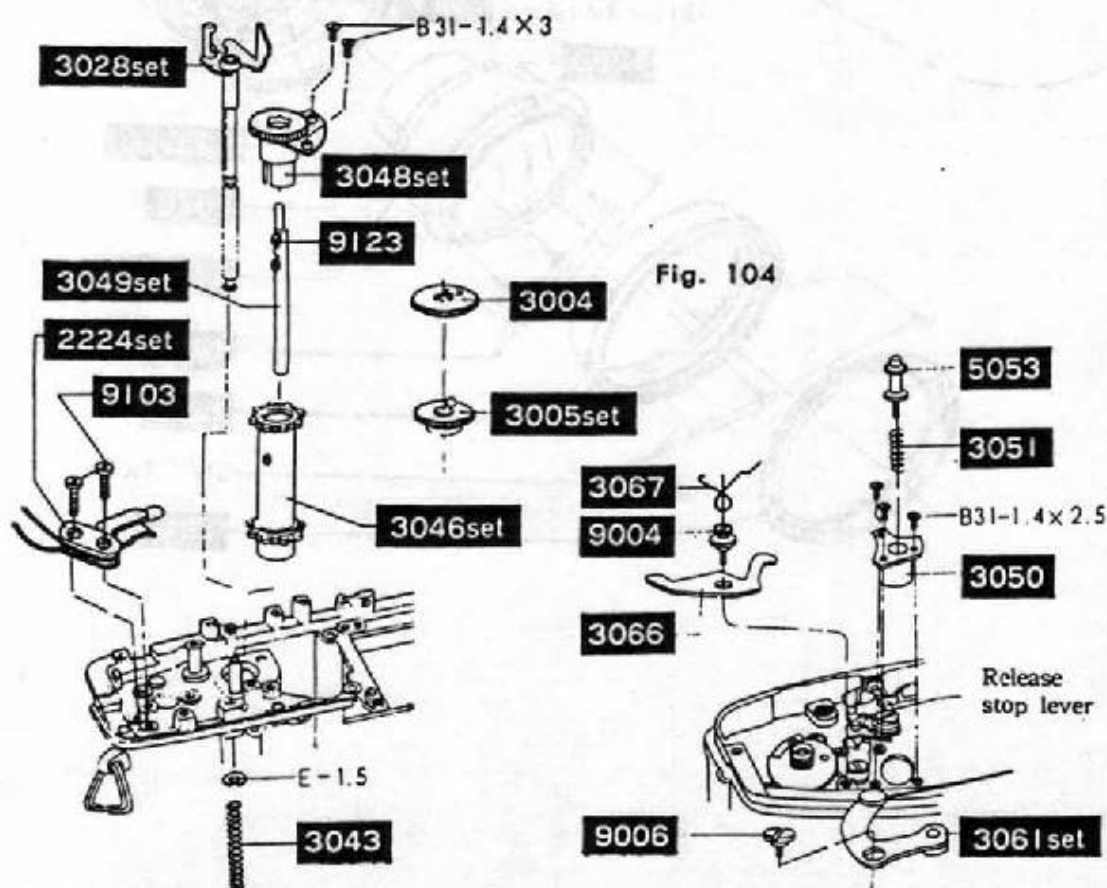
Fig. 102



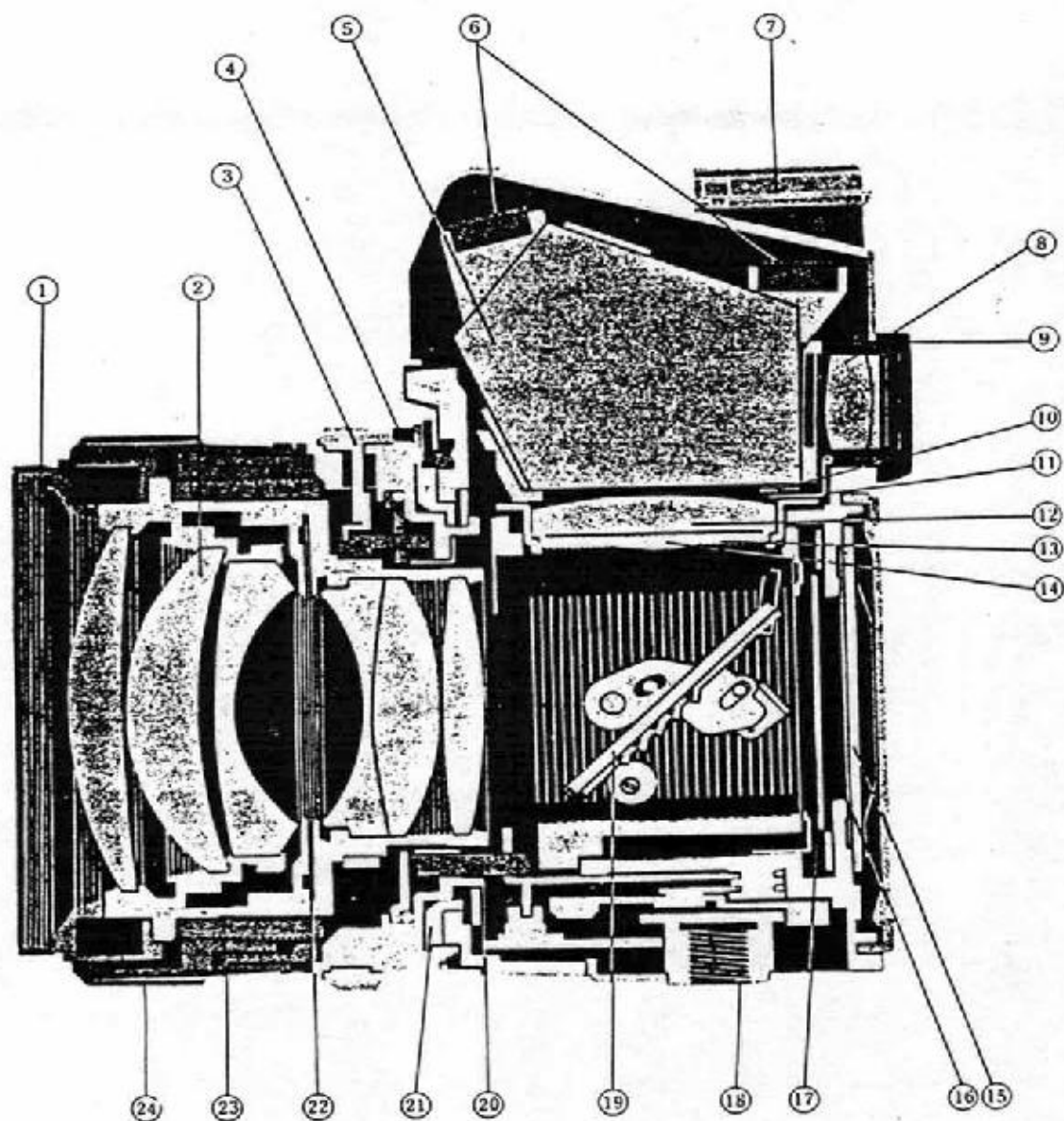
P. Mounting of Sprocket

1. Align with and fit into the slot of the sprocket gear shaft bearing (3048 set) the clutch pin (9123) of the sprocket shaft (3049 set). Mount the sprocket (3046) as indicated in the figure and insert into the hole of the sprocket (3046) the sprocket gear shaft bearing (3048 set) and the sprocket shaft (3049 set) from the upper side of the camera body and hold in position the shaft bearing (3048 set) by two setscrews (B31-1.4×3).
2. Hold in position the sprocket shaft bearing (3050) from the lower side of the camera body by three setscrews (B31-1.4×2.5) and insert into the shutter release lever (3059 set) the sprocket spring (3051) and secure it by the rewind release button (3053) (Left handed screw).
3. Secure the sprocket lock lever (3066) to the bottom of the camera body by means of the lock lever axis (9004). Hook the lock lever spring (3067) as illustrated in the figure and attach the charge lever-A (3061) by means of the charge lever-A axis (9006).
4. Insert the shutter release shaft (3028 set) from the upper side of the camera body, and then insert into the release shaft (3028 set) the release shaft spring (3043) from the front side of the camera body. Attach the lock lever into the slot of the release shaft (3028 set) from the bottom.
5. Push down the release shaft spring (3043) and fit the coupling washer (E-1.5) into the slot of the release shaft (3028 set).
6. Mount the middle contactor base (2224 set) by two setscrews (9103).
7. Mount the shutter base plate-B. (See P. 49)

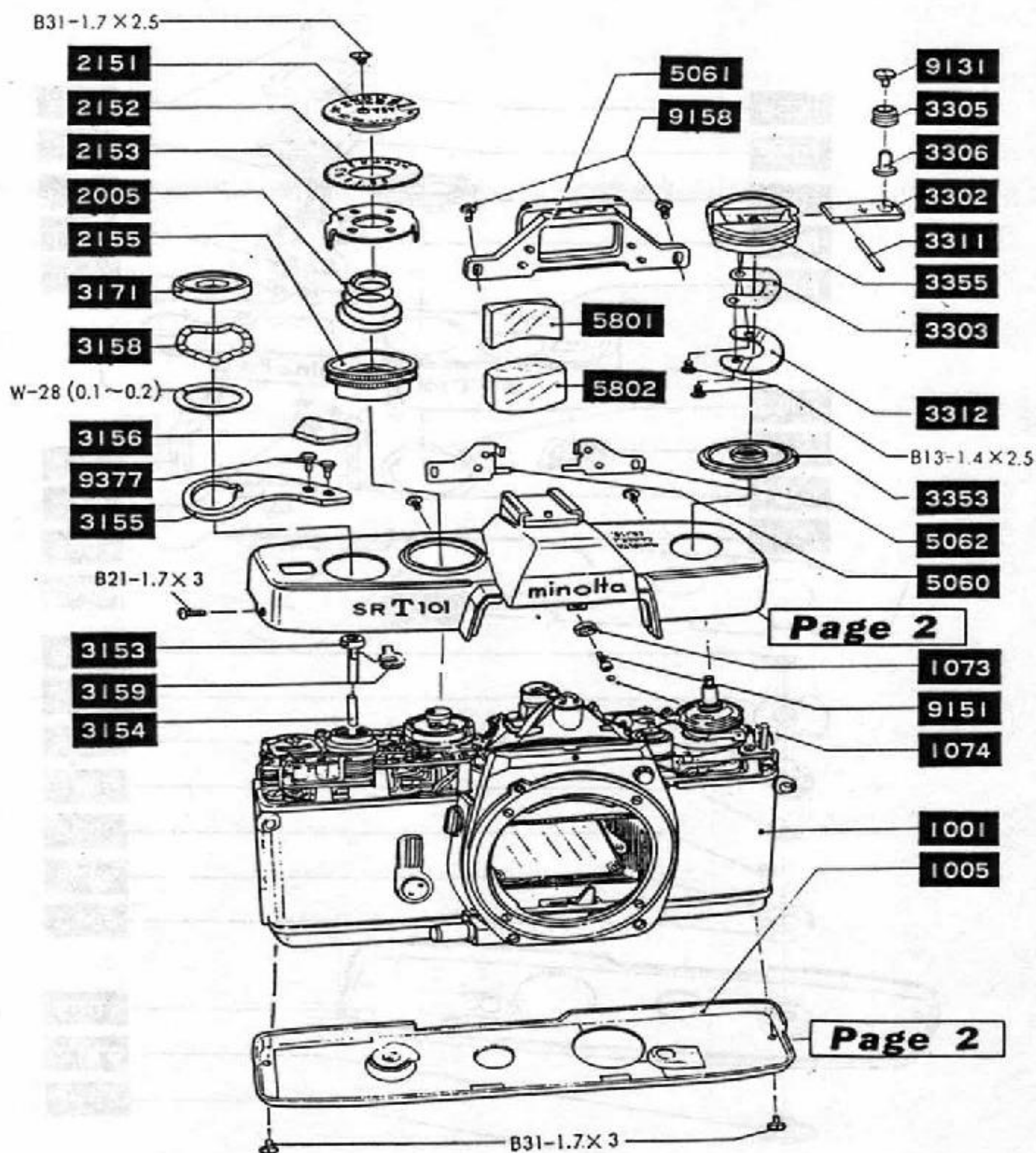
Fig. 103



CROSS SECTION OF SR^T101

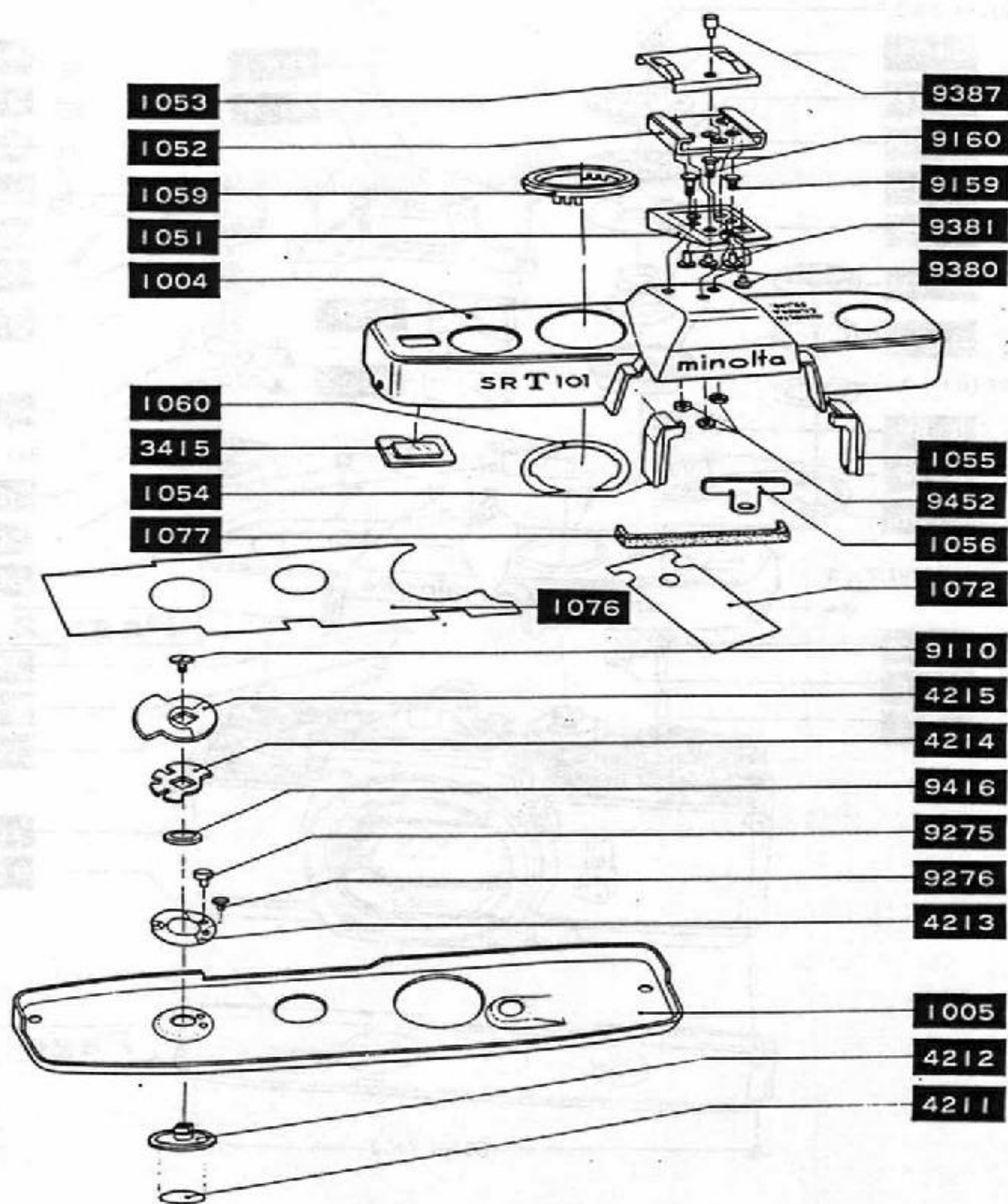


- | | | |
|--|-----------------------------|----------------------|
| ① Filter ring | ⑨ Eyepiece holder | ⑰ Shutter curtain |
| ② Standard lens | ⑩ Shutter speed scale plate | ⑱ Tripod socket |
| ③ Diaphragm ring | ⑪ Shutter speed needle | ⑲ Auto pre-set pin |
| ④ Meter coupler | ⑫ Condenser lens | ⑳ Lens bayonet mount |
| ⑤ Pentagon prism | ⑬ Fresnel lens | ㉑ Lens mount |
| ⑥ Light meter photo-cell
(CdS photo-cell) | ⑭ Fine micro prism | ㉒ Diaphragm blade |
| ⑦ Accessories clip | ⑮ Film pressure plate | ㉓ Lens helicoid |
| ⑧ Eyepiece lens | ⑯ Film | ㉔ Focusing ring |



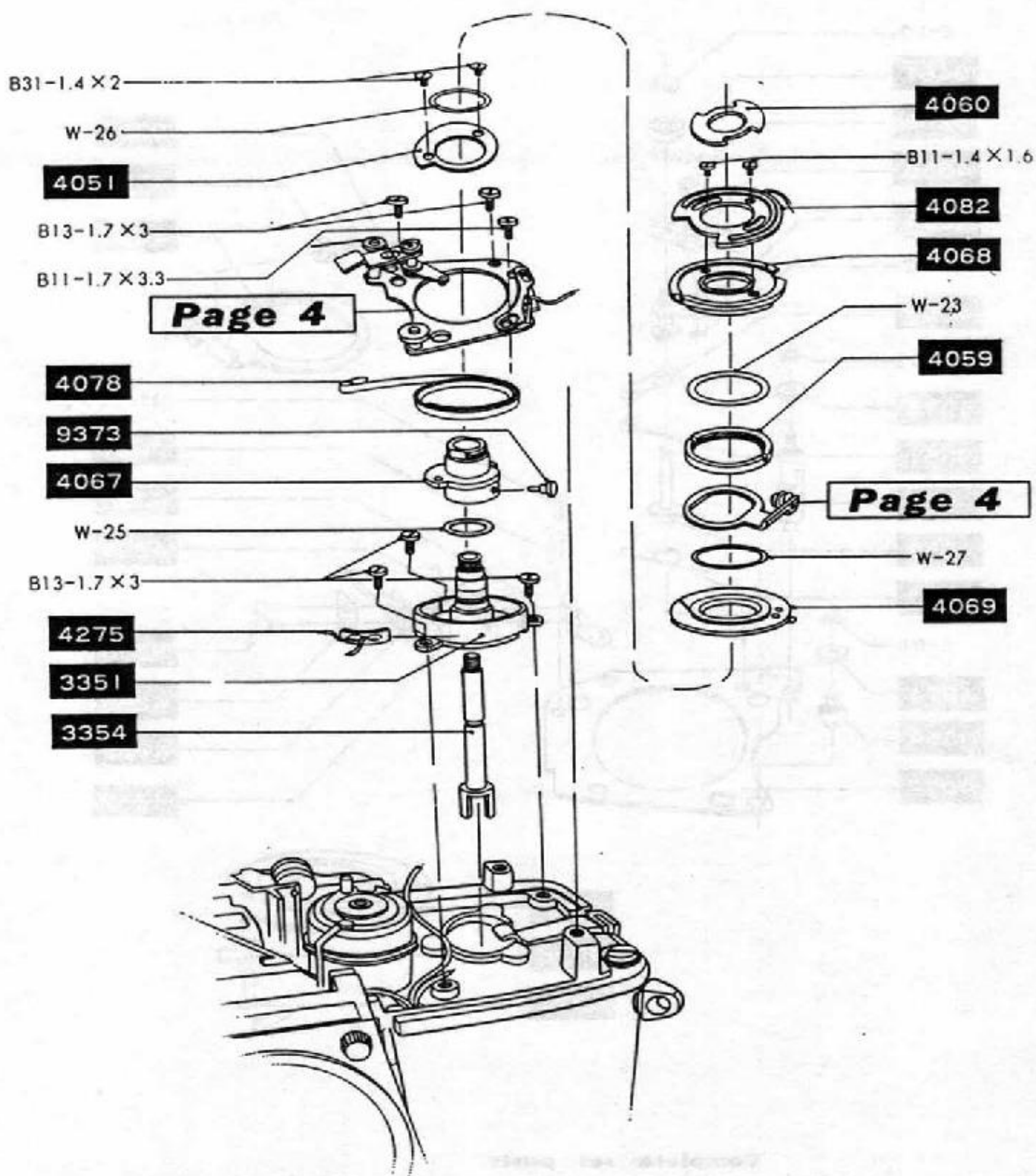
Complete set Parts.

Key number 代表部品番号	Including parts number 結合部品番号
2152-71	2152, 2153.
3155-71	3155, 3156, 9377.
3302-71	3302, 3306, 3311.
5061-71	5061, 5060, 5062, 5801, 5802.



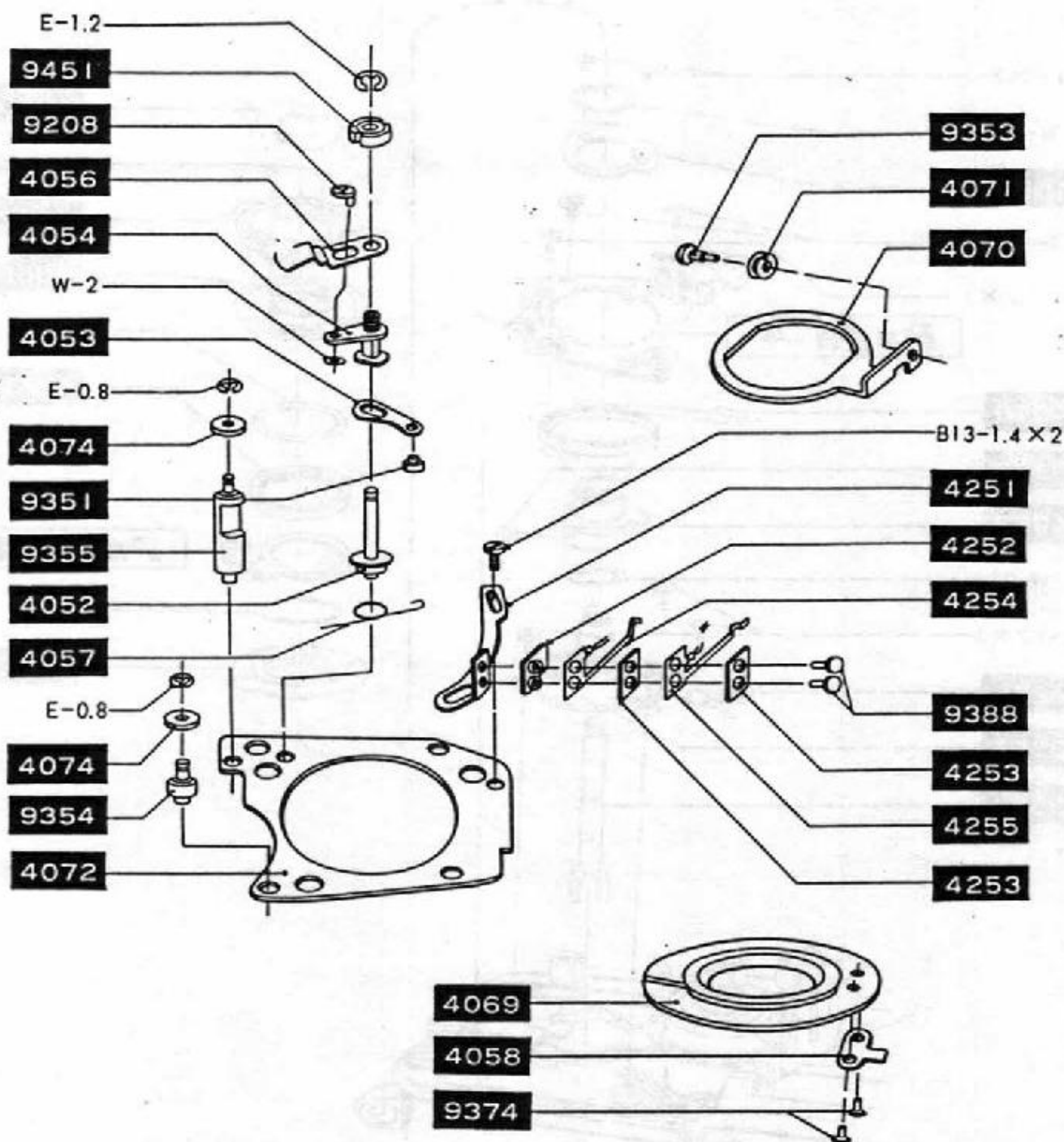
Complete set parts.

Key number 代表部品番号	Including parts number 結合部品番号
1004-71	1004, 1054, 1055, 1056, 1059, 1060, 3415.
1005-71	1005, 4213, 9275, 9276.
1052-71	1052, 1051, 1053, 9159, 9160, 9380,



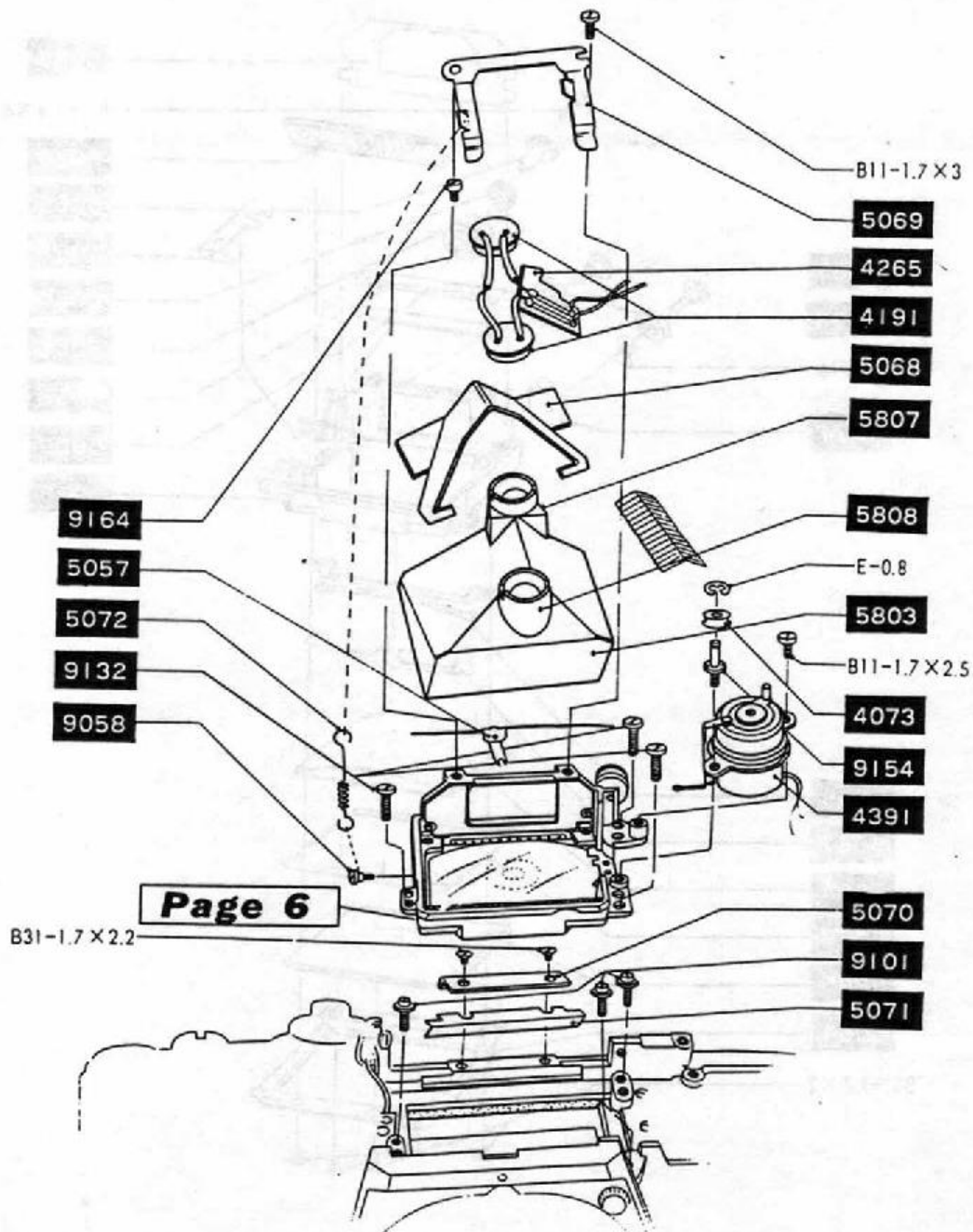
Complete set Parts.

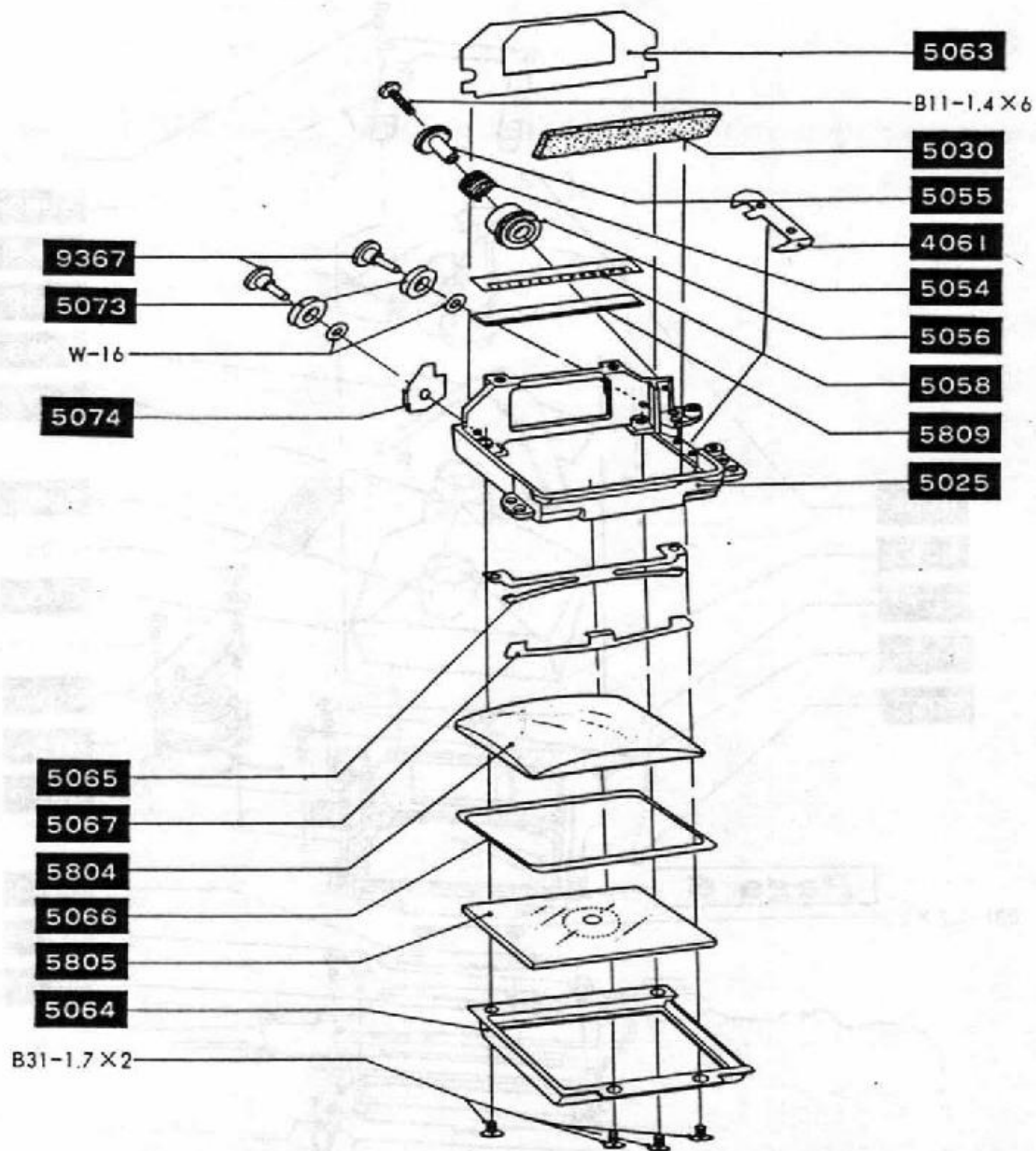
Key number 代表部品番号	Including parts number 結合部品番号
4067-71	4067, 9373.



Complete set parts

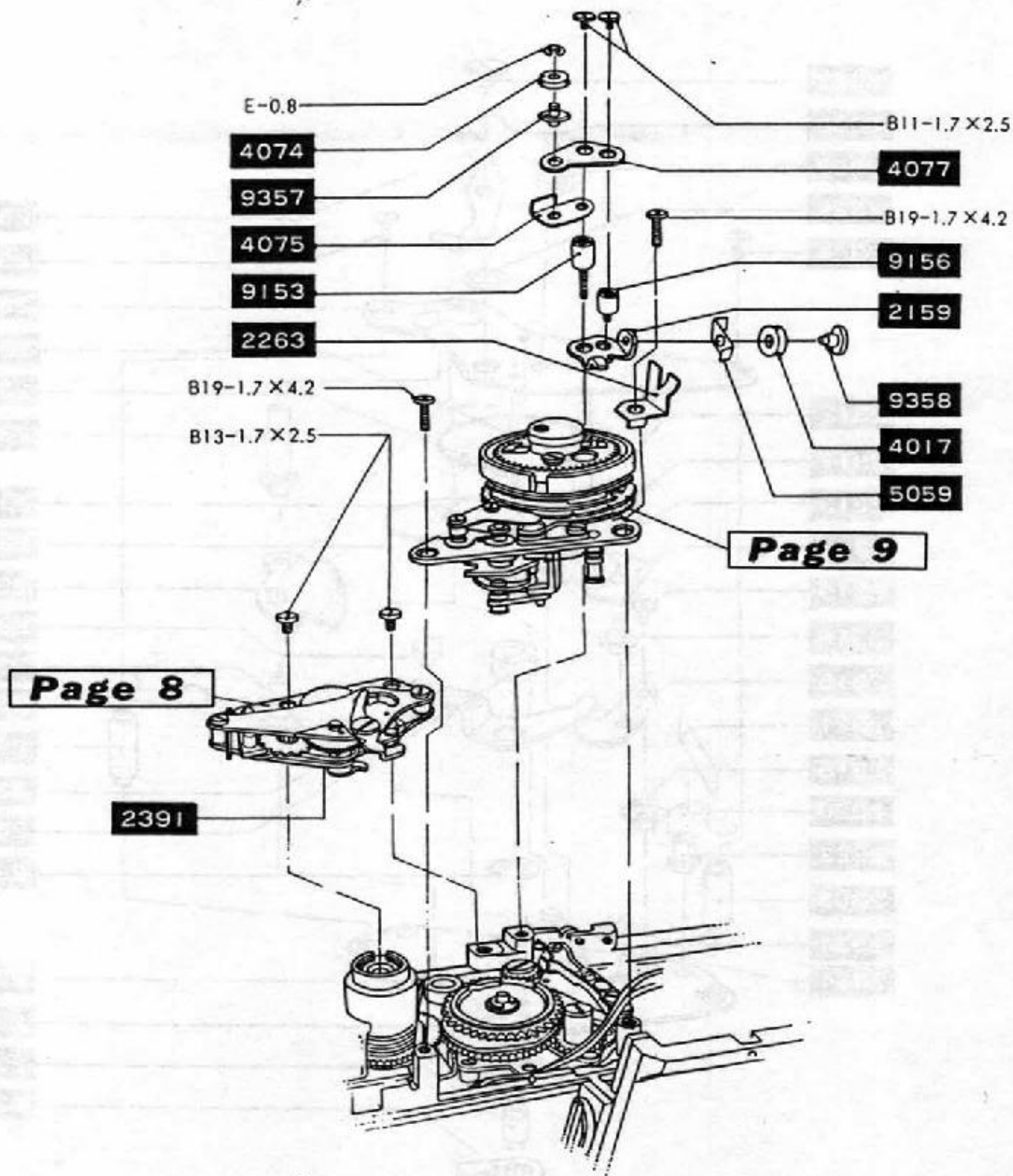
Key number 代表部品番号	Including parts number 結合部品番号
4054-71	4054, 4053, 9208, 9351, W-2.
4069-71	4069, 4058, 9374.
4070-71	4070, 4071, 9353.
4072-71	4072, 4052, 9354, 9355.
4251-71	4251, 4252, 4253, 4254, 4255, 9388.





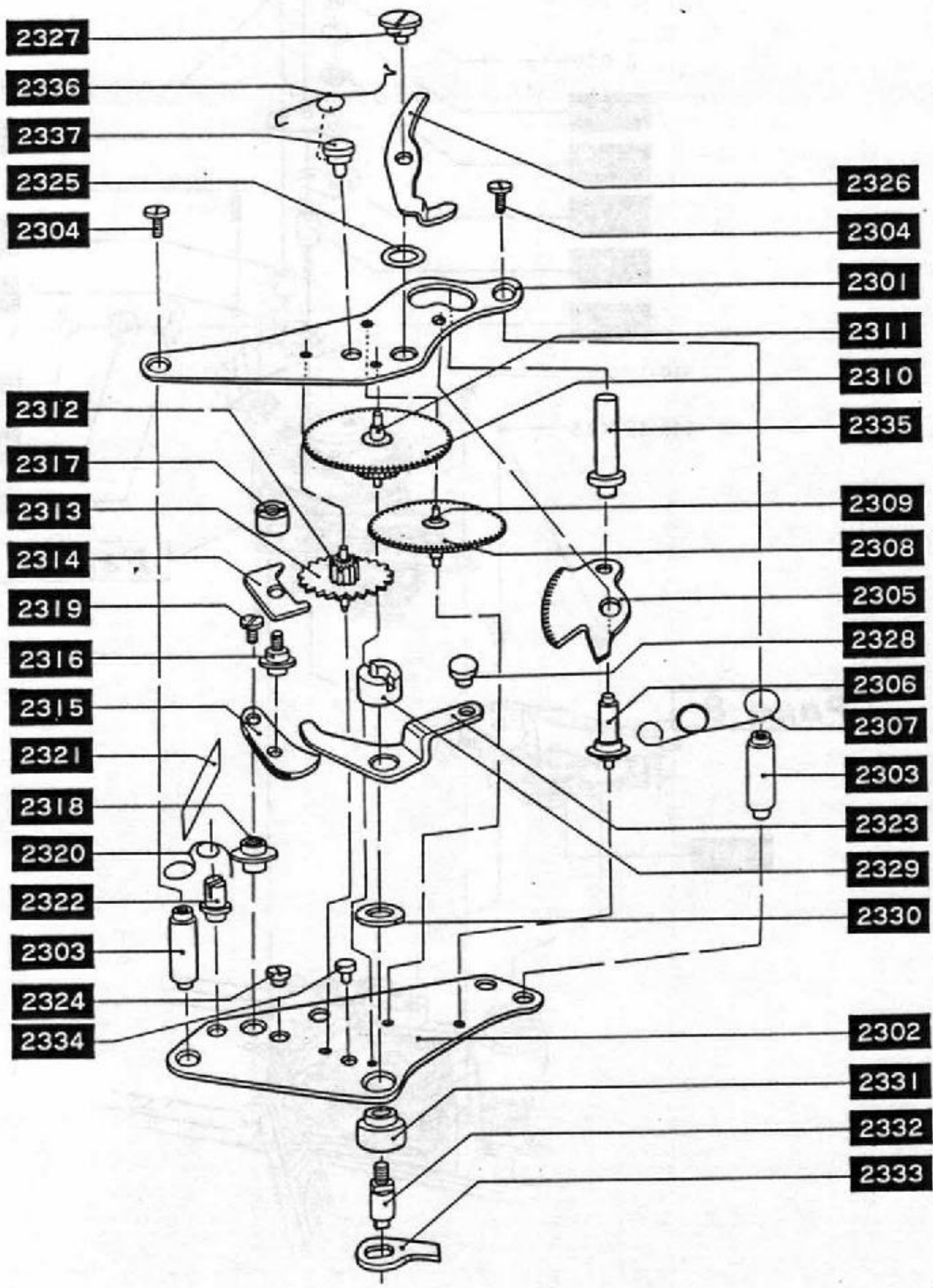
Complete set parts.

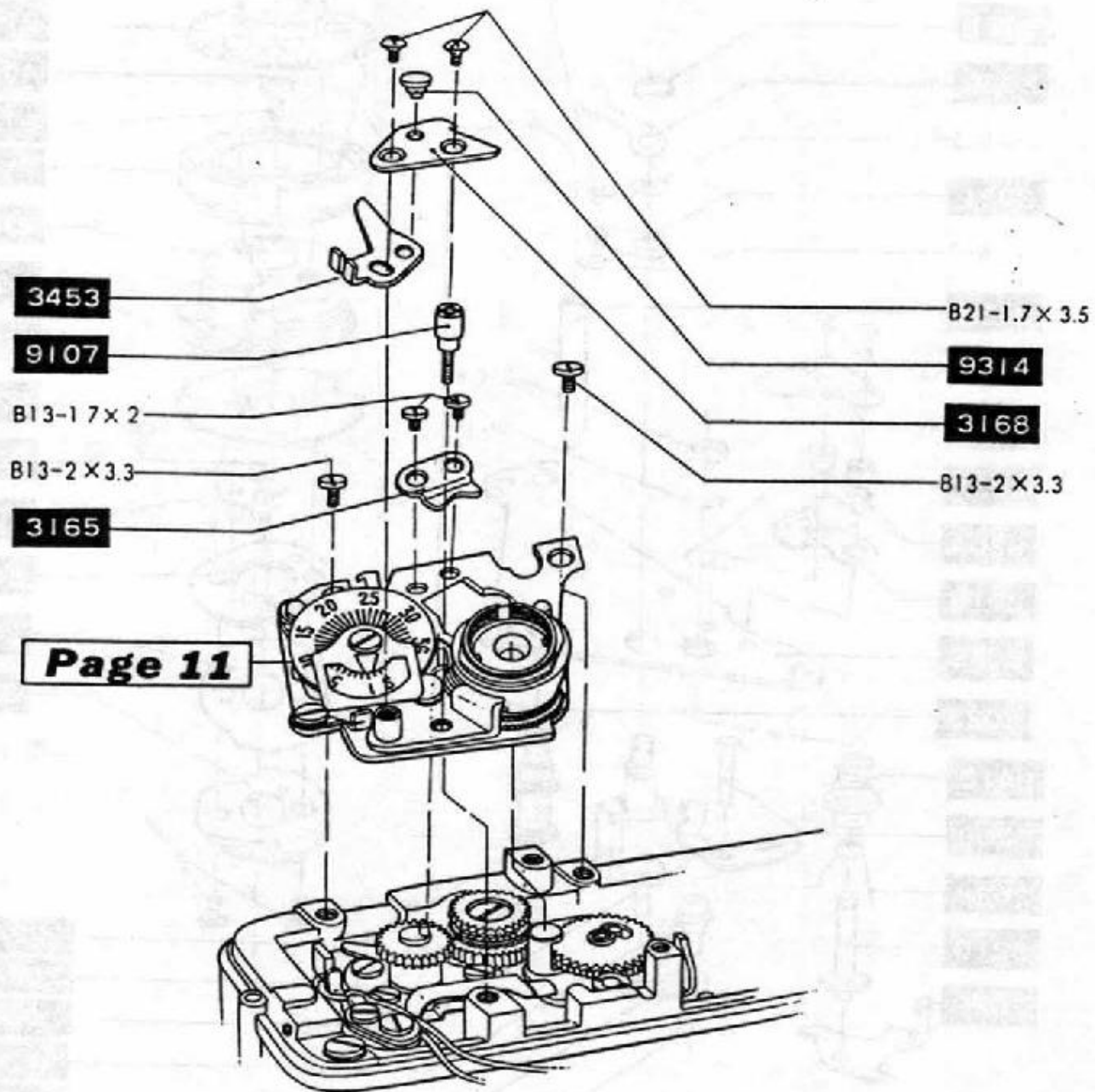
Key number 代表部品番号	Including parts number 結合部品番号
5025-71	5025, 5030, 5073, 5074, 9367, W-16.



Complete set Parts.

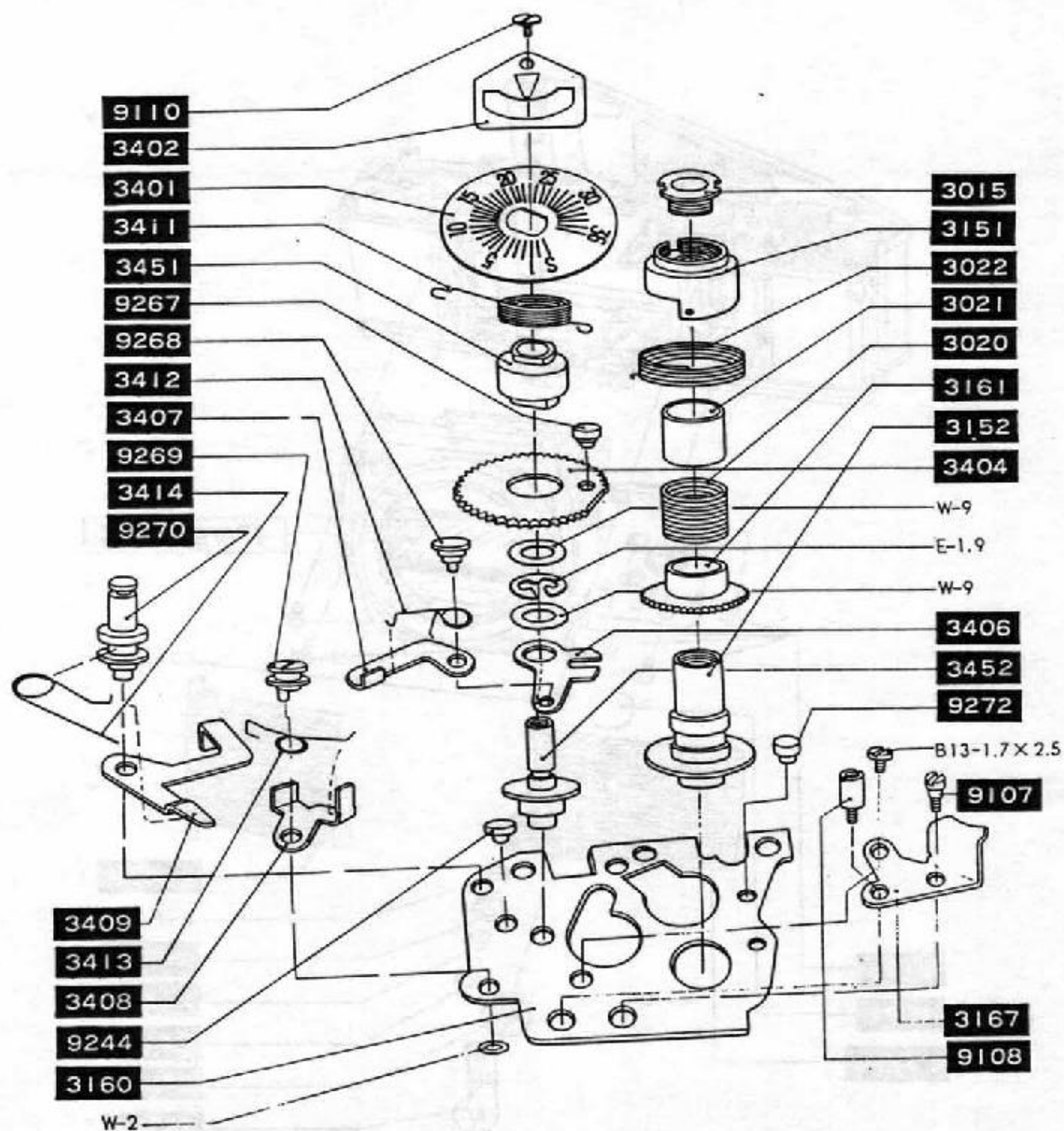
Key number 代表部品番号	Including parts number 結合部品番号
2159-71	2159, 4017, 5059, 9358.
4077-71	4077, 4075, 9357.





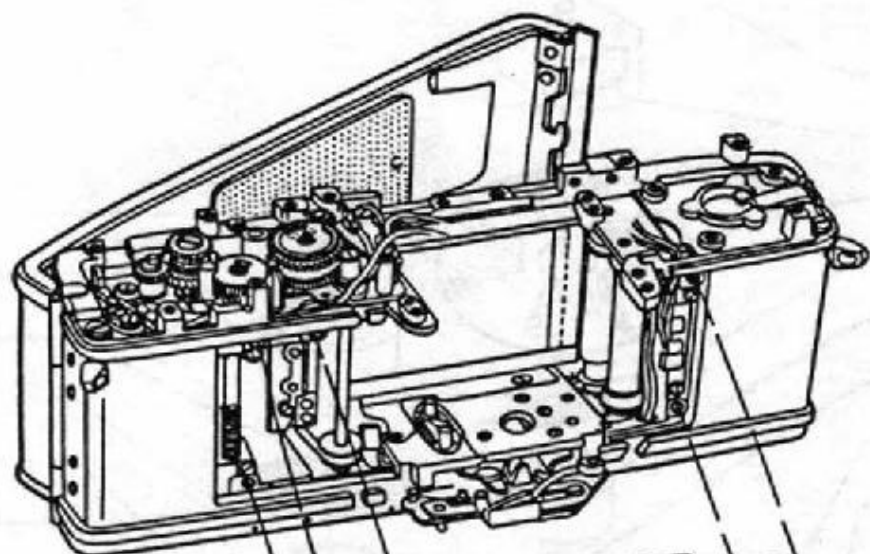
Complete set parts.

Key number 代表部品番号	Including parts number 結合部品番号
3168-71	3168, 3453, 9314.



Complete set parts.

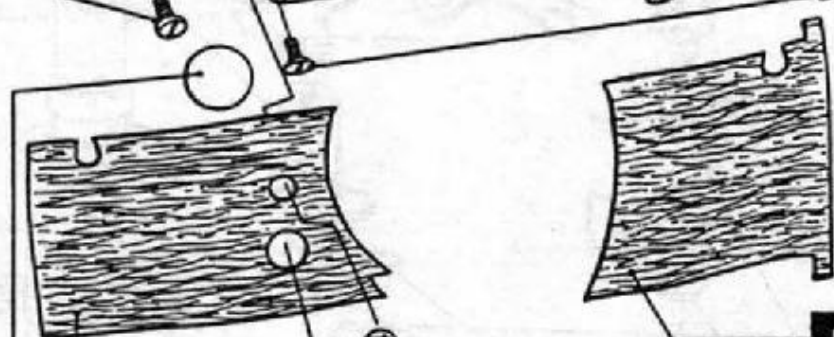
Key number 代表部品番号	Including parts number 結合部品番号
3160-71	3160, 3152, 3408, 3409, 3452, 9244, 9269, 9270, 9272, W-2,
3401-71	3401, 3404, 3411, 3451, 9267.
3406-71	3406, 3407, 9268.



Page 13



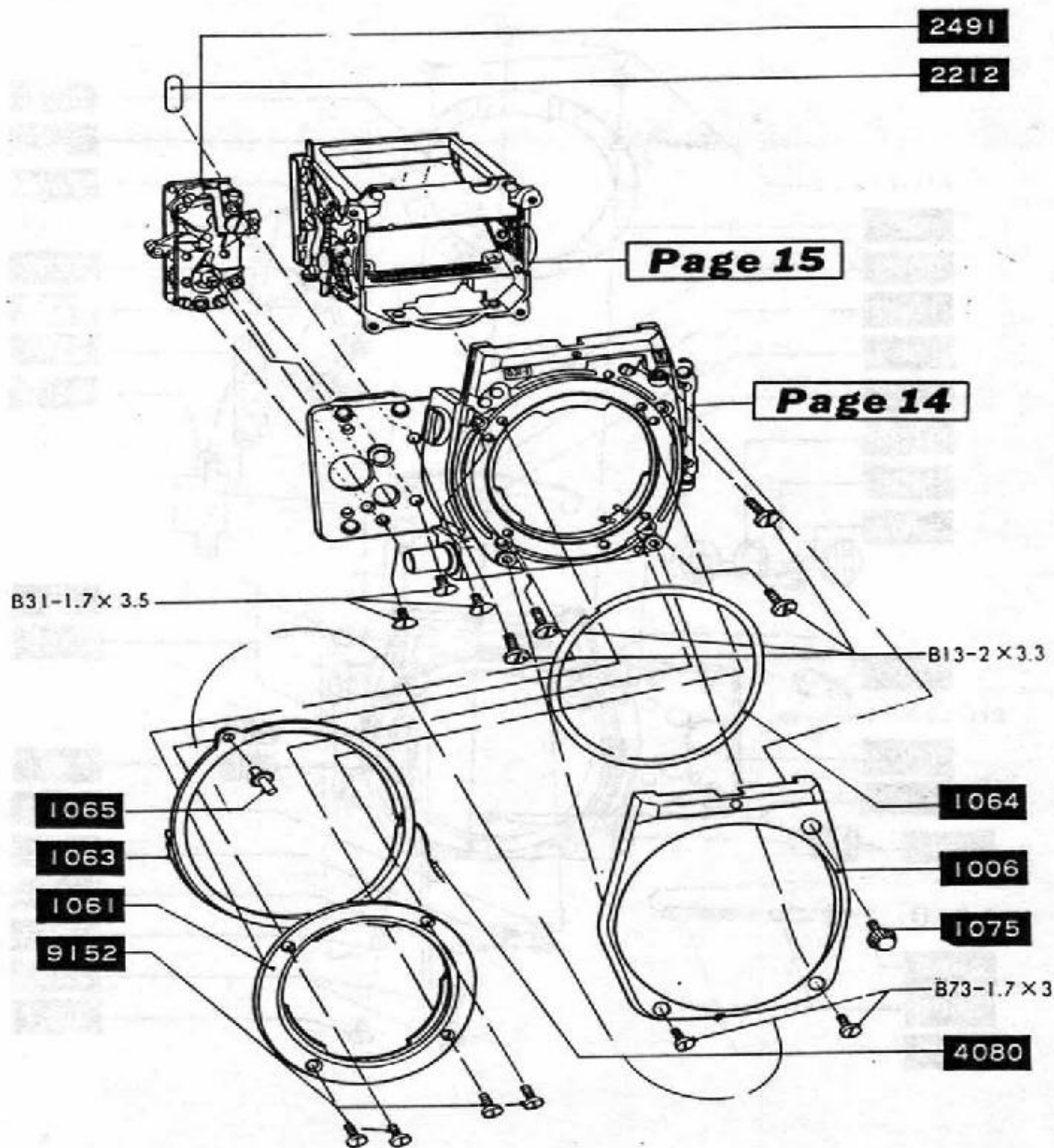
B31-2X 4



9148
1021
1071A

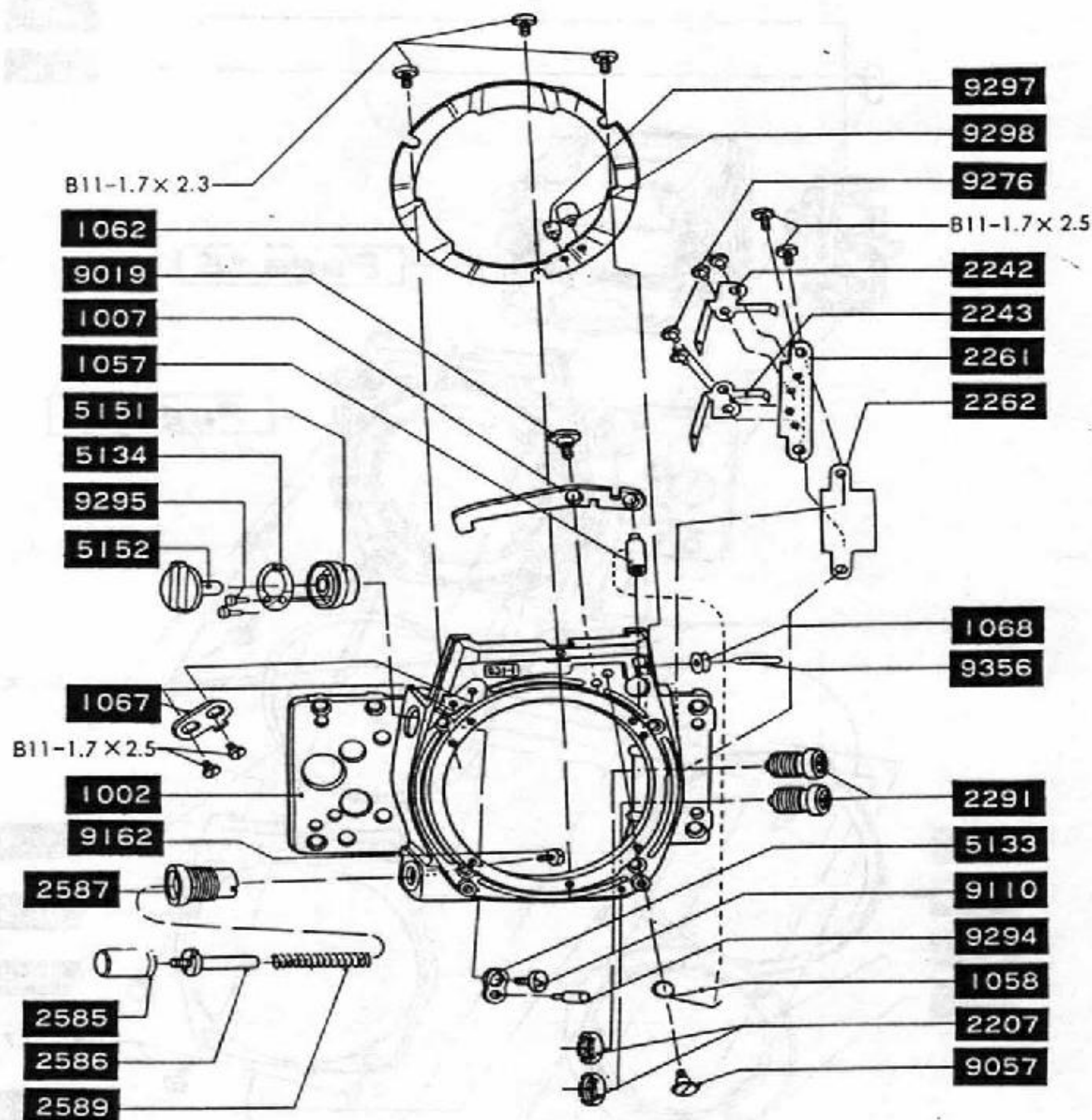
1071B
E-0.8
2441
2442
2440
2437
2438
9106





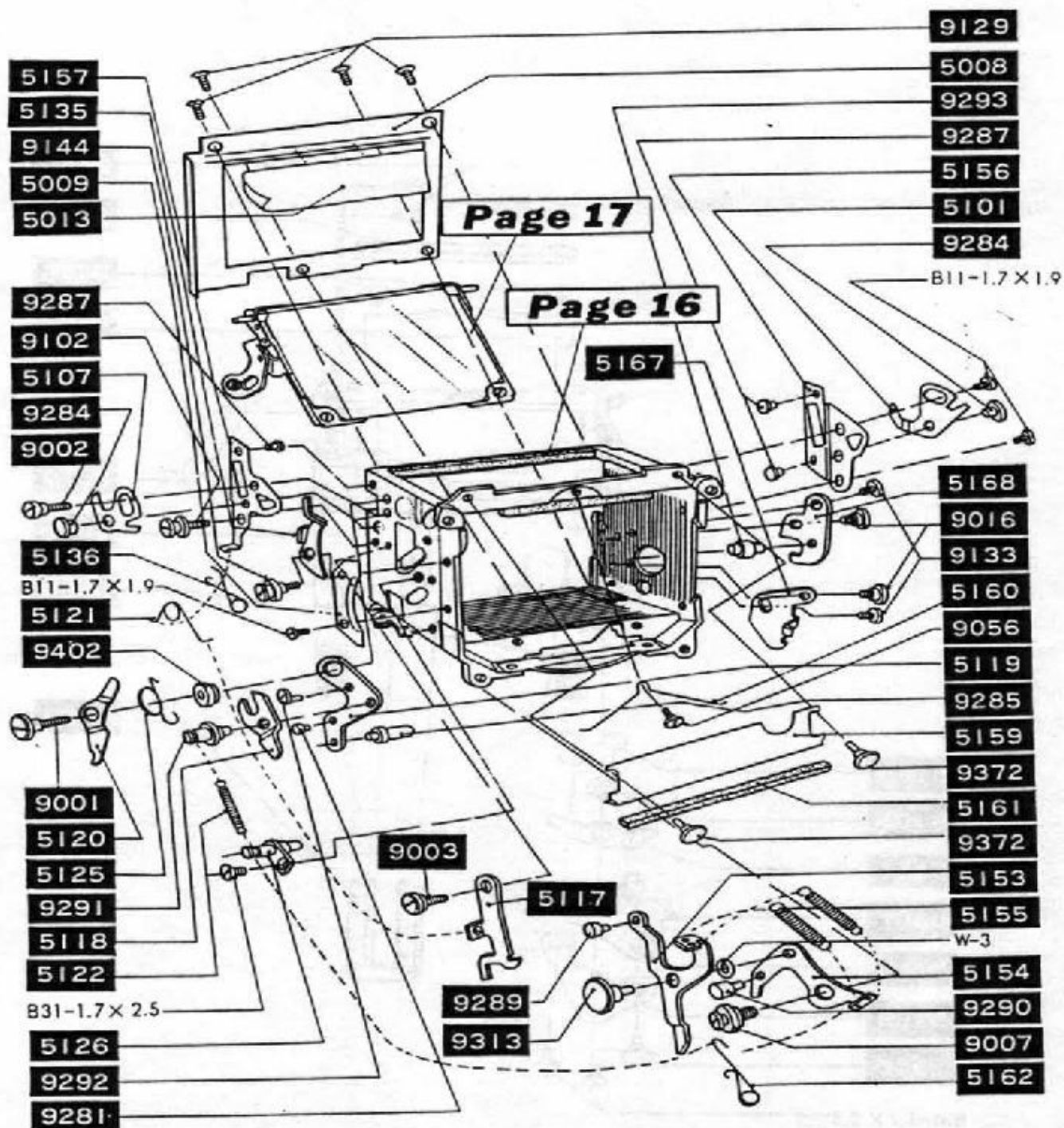
Complete set parts.

Key number 代表部品番号	Including parts number 結合部品番号
1063-71	1063, 1065.



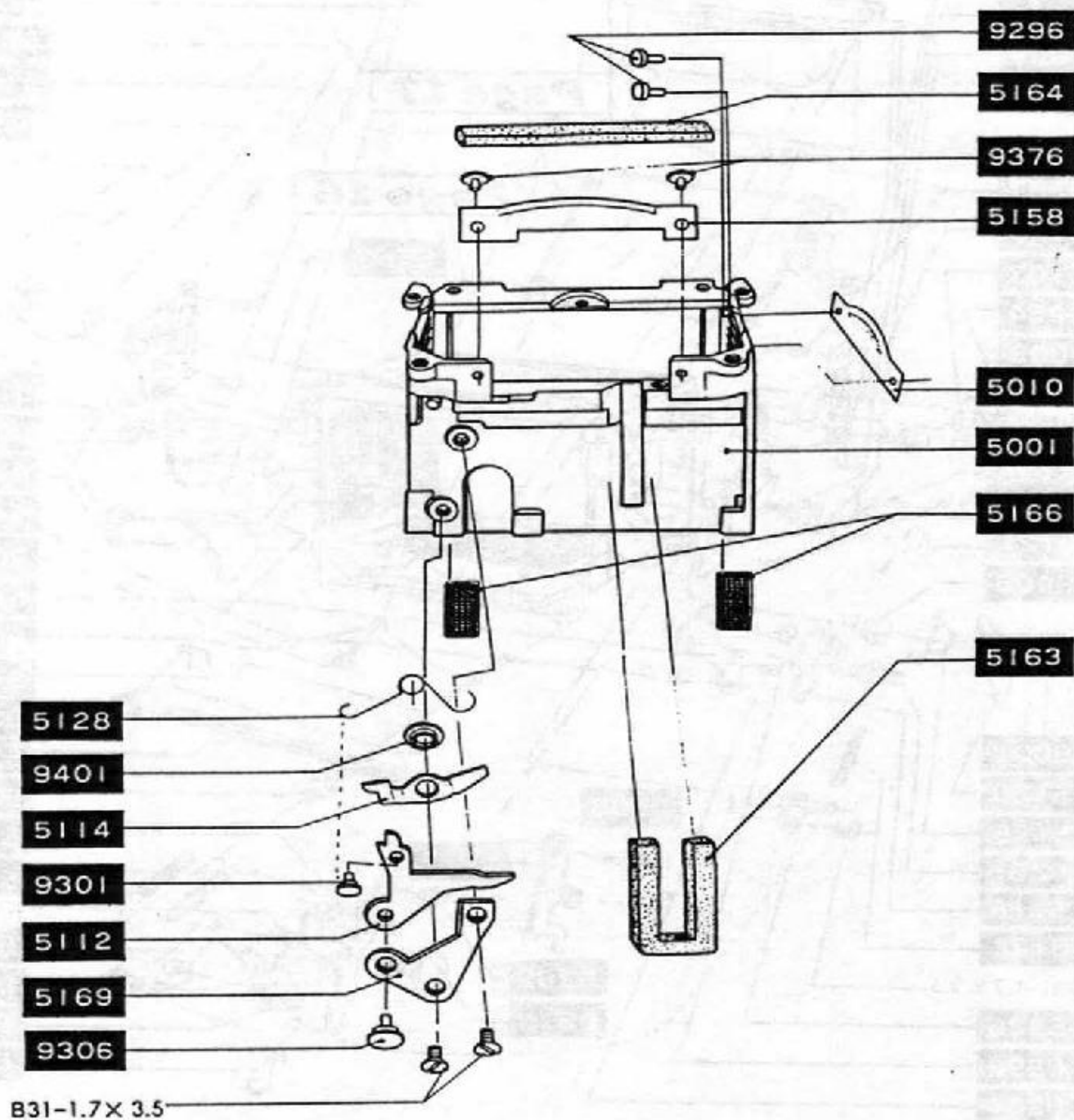
Complete set parts.

Key number 代表部品番号	Including parts number 結合部品番号
1002-71	1002, 5134, 5151, 9295.
1007-71	1007, 1057.
1062-71	1062, 9297, 9298.
2261-71	2261, 2242, 2243, 2262, 9276.
5133-71	5133, 9294.



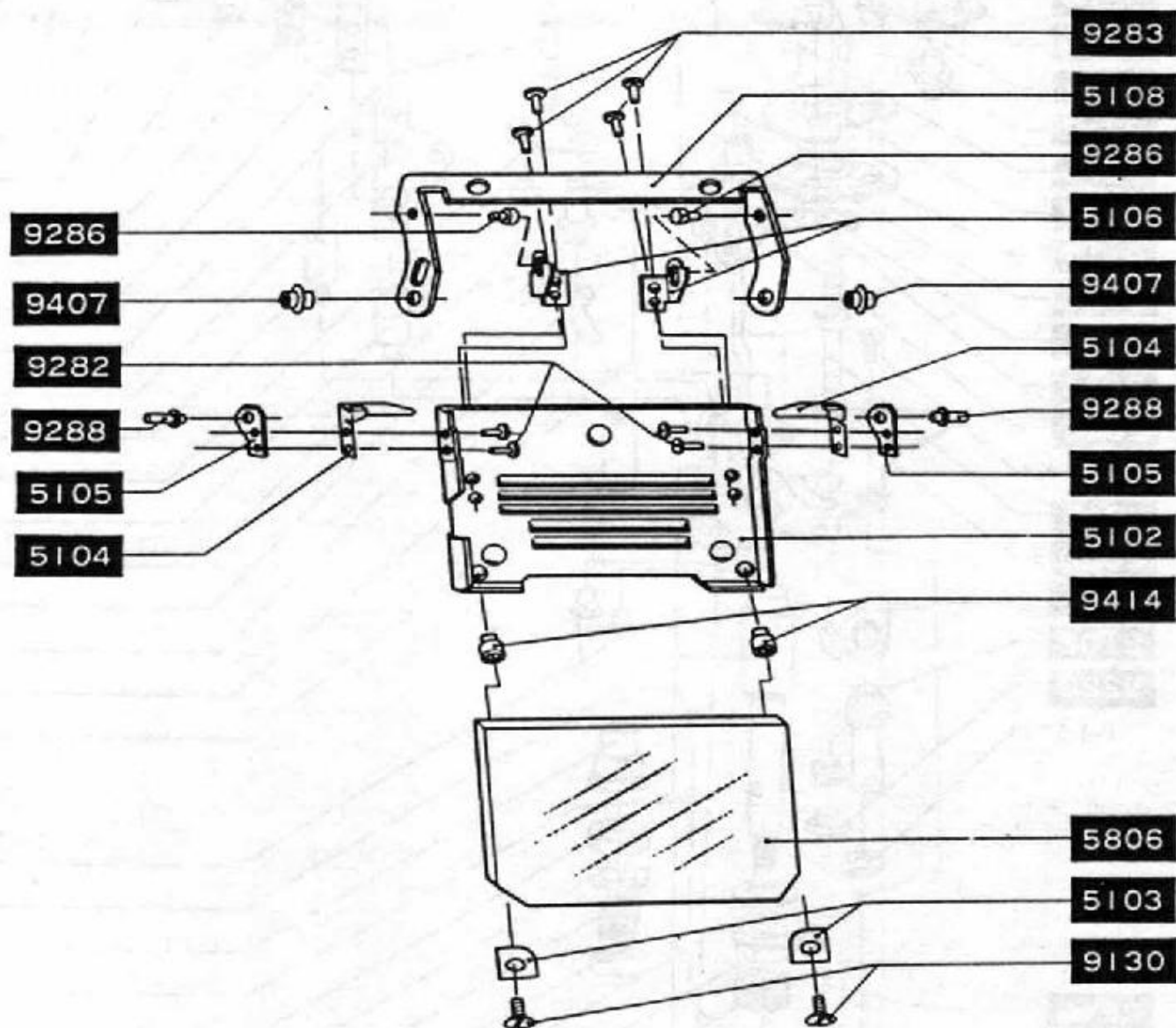
Complete set parts.

Key number 代表部品番号	Including parts number 結合部品番号
5008-71	5008, 5013.
5119-71	5119, 5118, 9281, 9285, 9291.
5153-71	5153, 5154, 9289, 9290, 9313, W-3.
5156-71	5156, 5101, 9284, 9287.
5157-71	5157, 5107, 9284, 9287.
5168-71	5168, 9293.



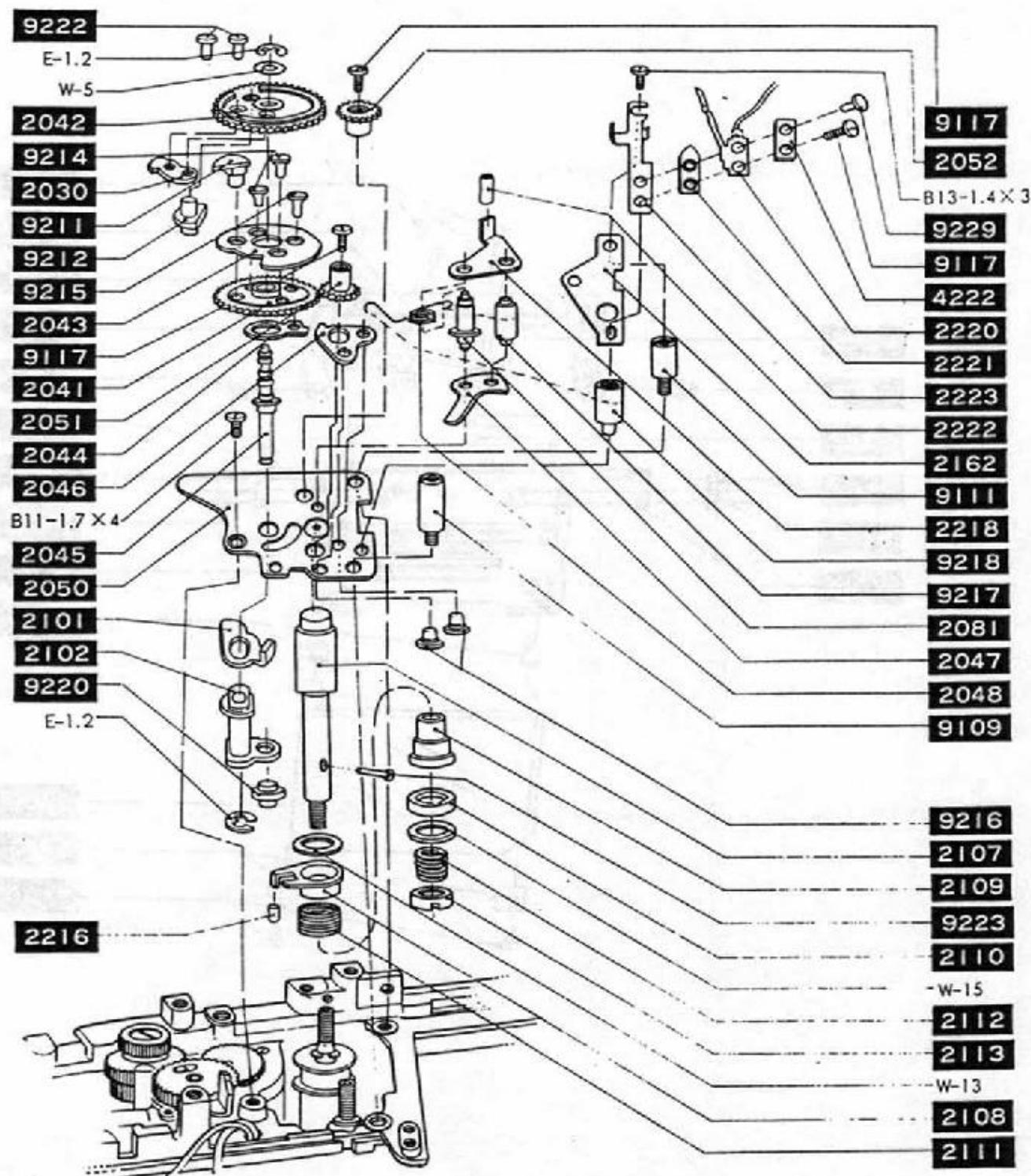
Complete set parts.

Key number 代表部品番号	Including parts number 結合部品番号
5001-71	5001, 5010, 5126, 5158, 5161, 5163, 5164, 5166, 9296, 9372, 9376, B31-1.7x2.5
5169-71	5169, 5112, 9301, 9306.



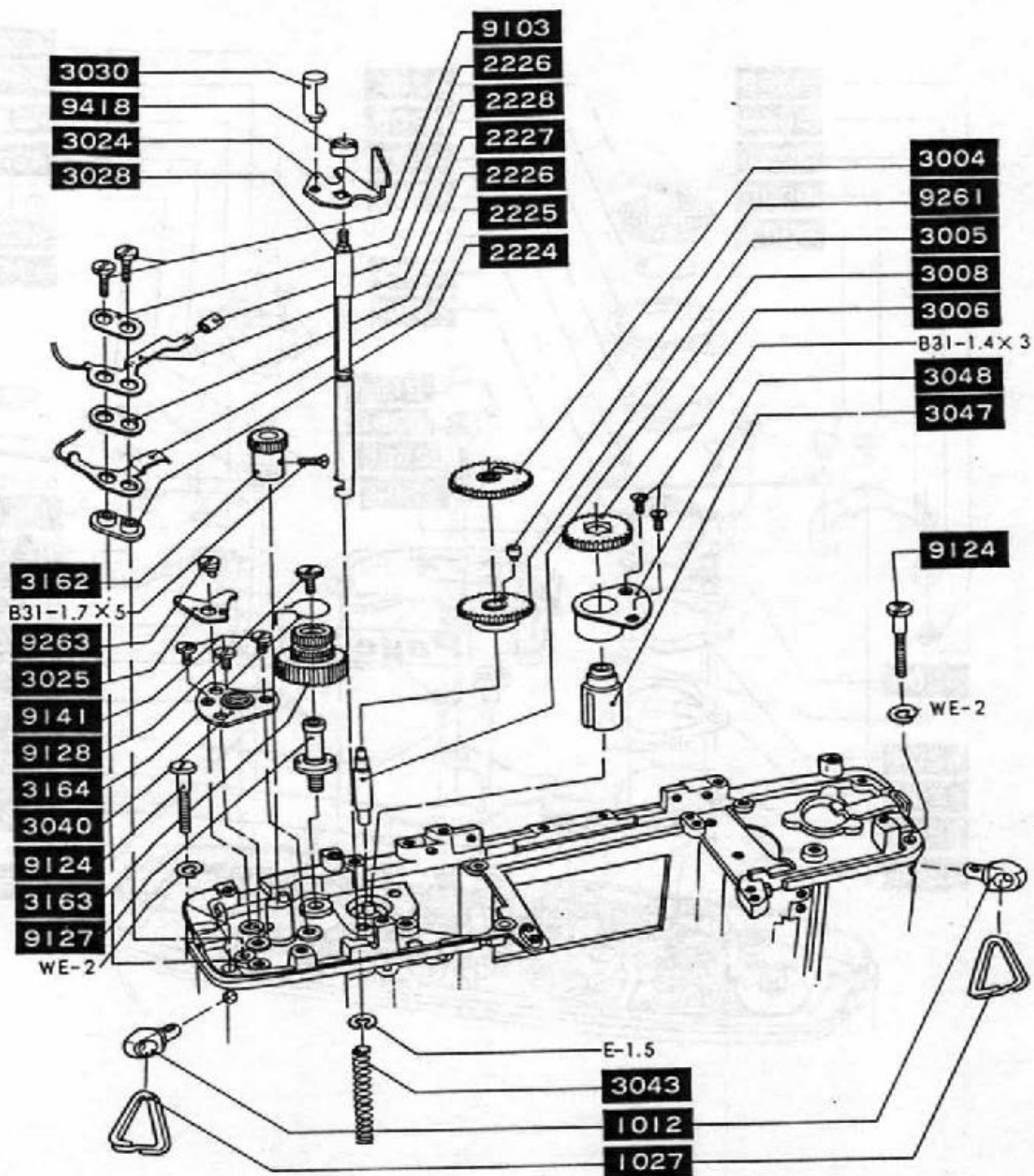
Complete set parts.

Key number 代表部品番号	Including parts number 結合部品番号
5102-71	5102, 5104, 5105, 5106, 9282, 9283, 9288, 9414.
5108-71	5108, 9286, 9407.



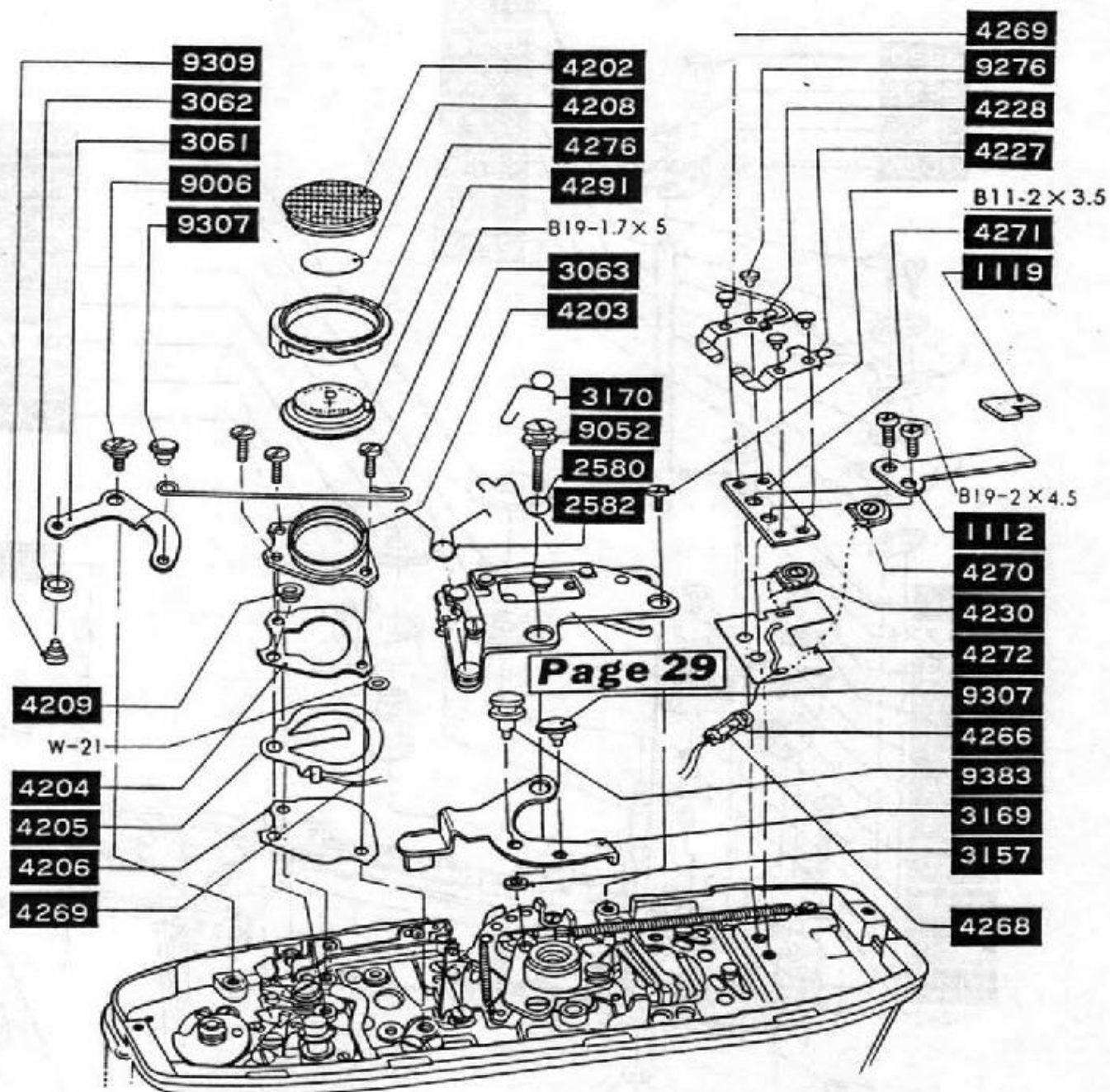
Complete set parts.

Key number 代表部品番号	Including parts number 結合部品番号
2041-71	2041, 2043, 2044, 9211, 9214, 9215.
2042-71	2042, 2030, 9212, 9222.
2047-71	2047, 2048, 2081, 2218, 2222, 9217.
2050-71	2050, 2045, 2046, 2107, 9216, 9218.
2101-71	2101, 2102, 9220.
2223-71	2223, 2220, 2221, 4222, 9229.



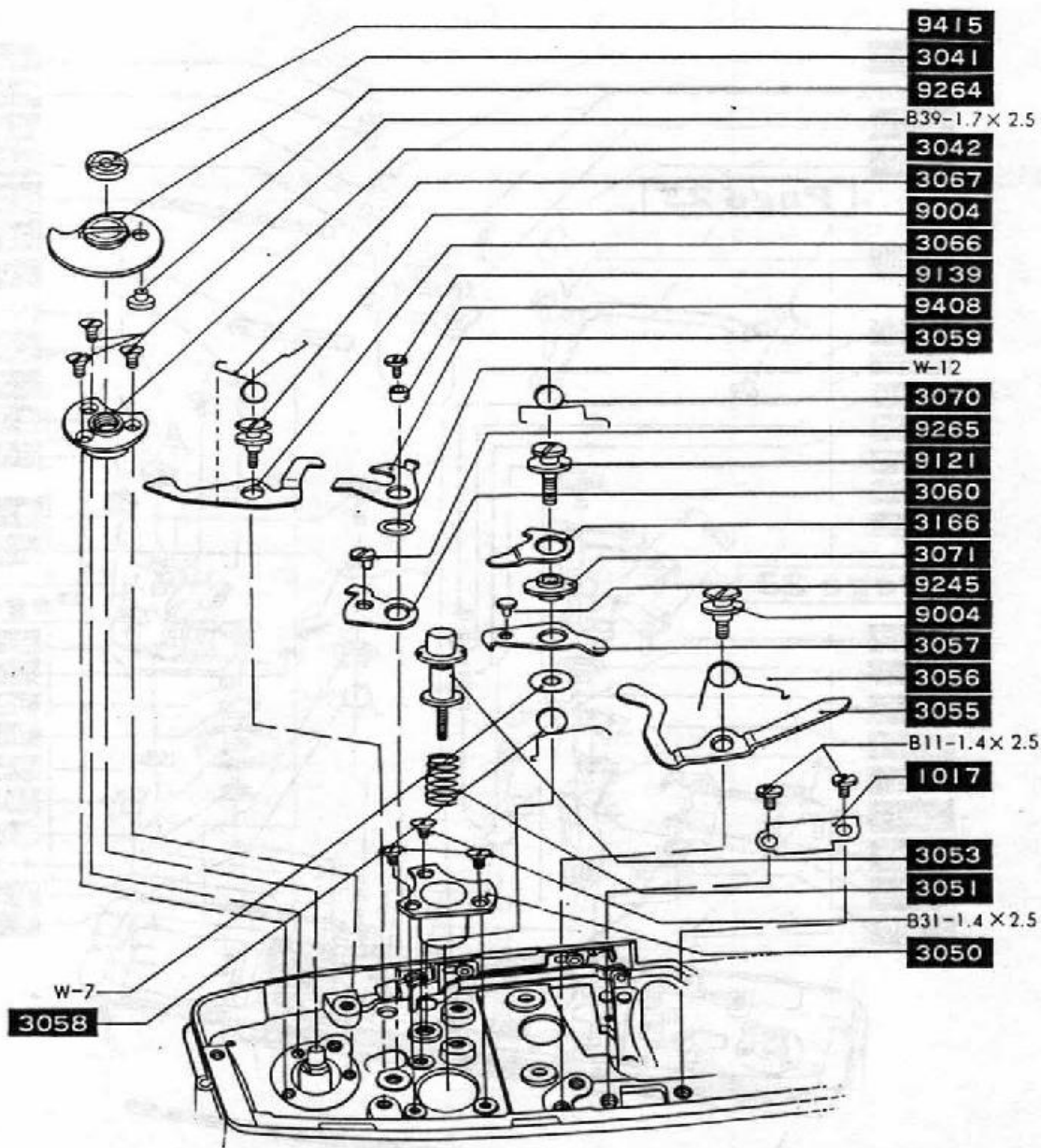
Complete set parts.

Key number 代表部品番号	Including parts number 結合部品番号
2224-71	2224, 2225, 2226, 2227, 2228.
3005-71	3005, 9261.
3024-71	3024, 3030.
3040-71	3040, 3025, 9263.
3048-71	3048, 3006, 3047.



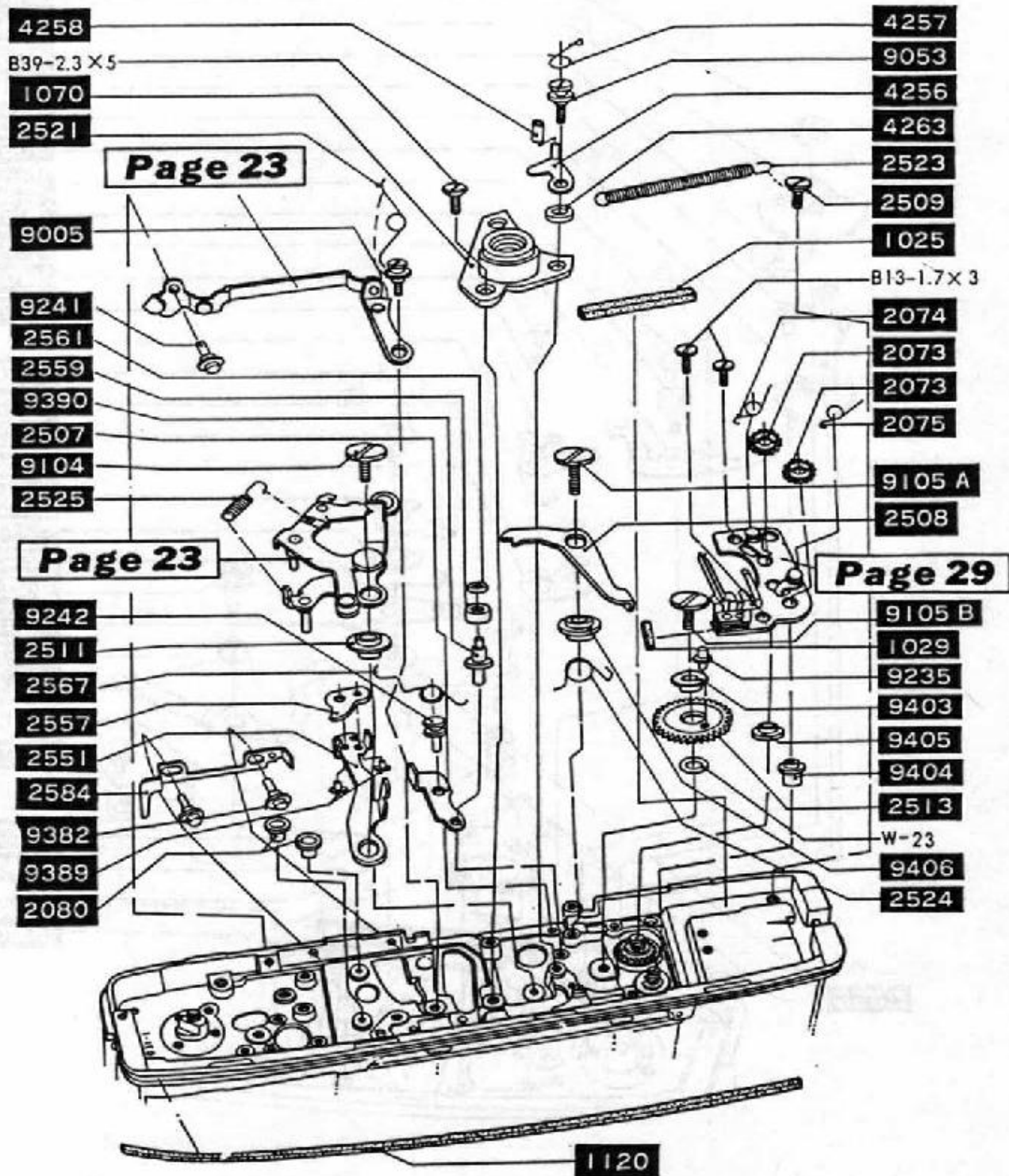
Complete set parts.

Key number 代表部品番号	Including parts number 結合部品番号
3061-71	3061, 3062, 3063, 9307, 9309.
3169-71	3169, 9307, 9383.
4202-71	4202, 4208.
4203-71	4203, 4204, 4205, 4206, 4209.
4271-71	4271, 4227, 4228, 4276.



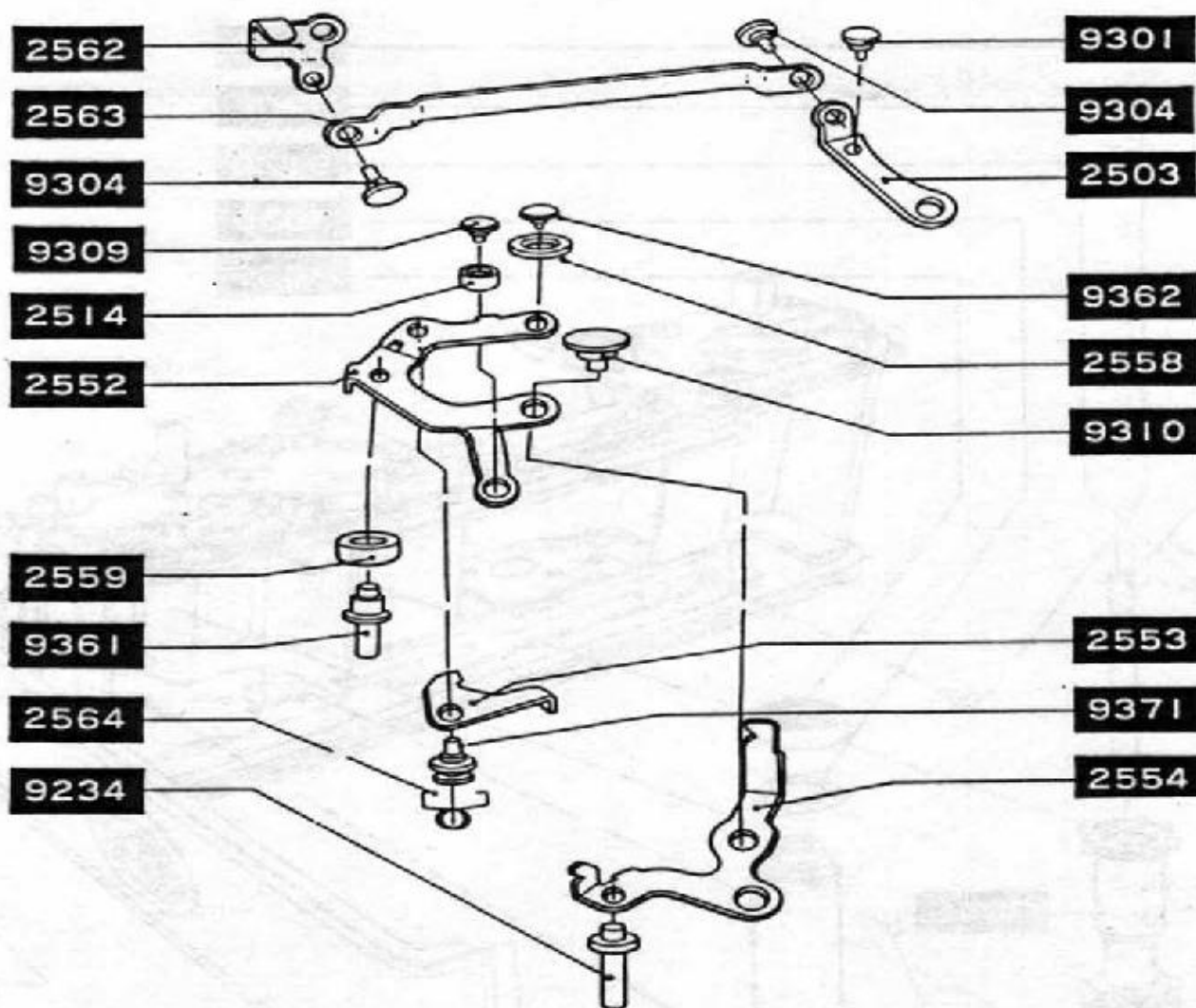
Complete set parts.

Key number 代表部品番号	Including parts number 結合部品番号
3041-71	3041, 9264.
3057-71	3057, 9245.
3060-71	3060, 9265.



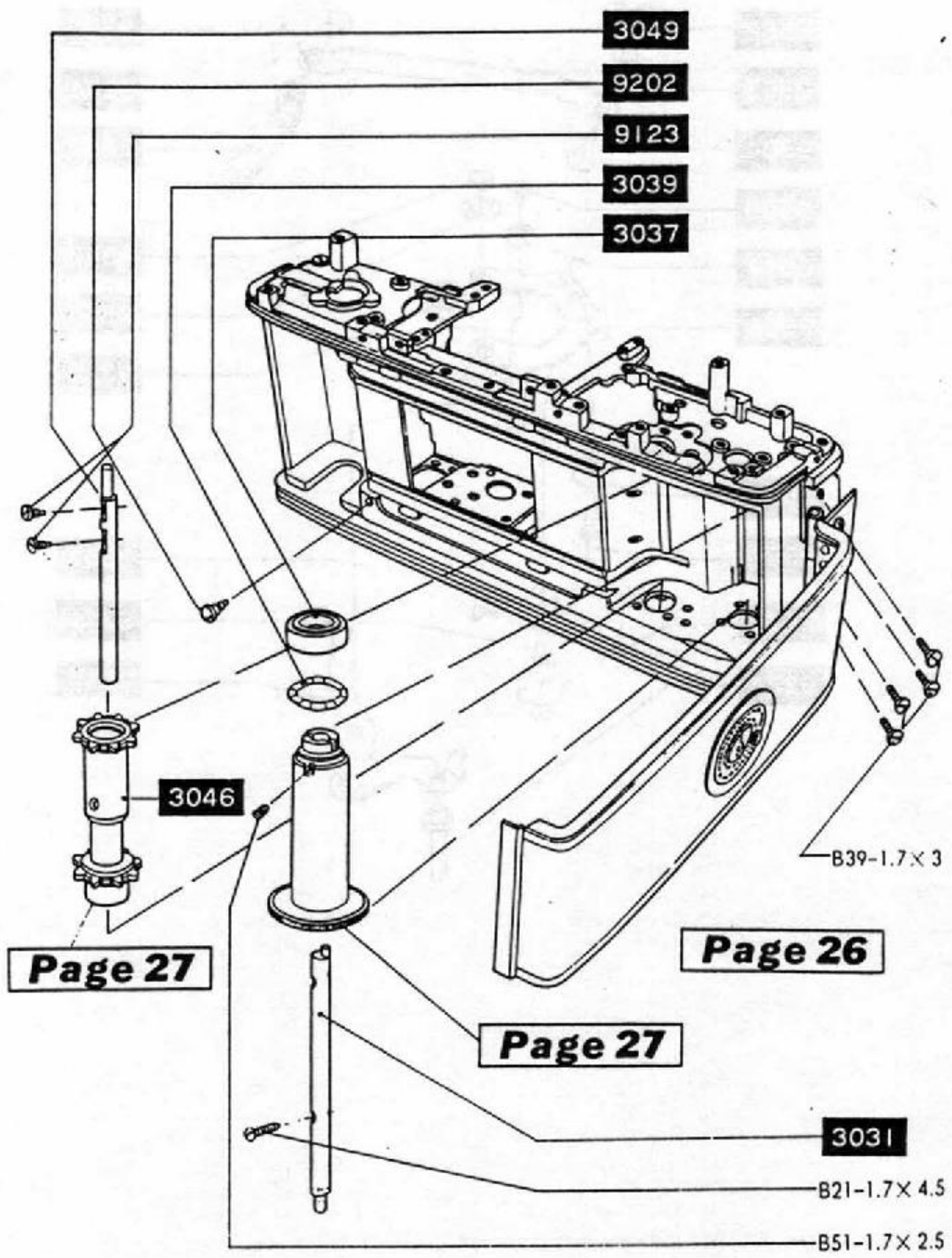
Complete set parts.

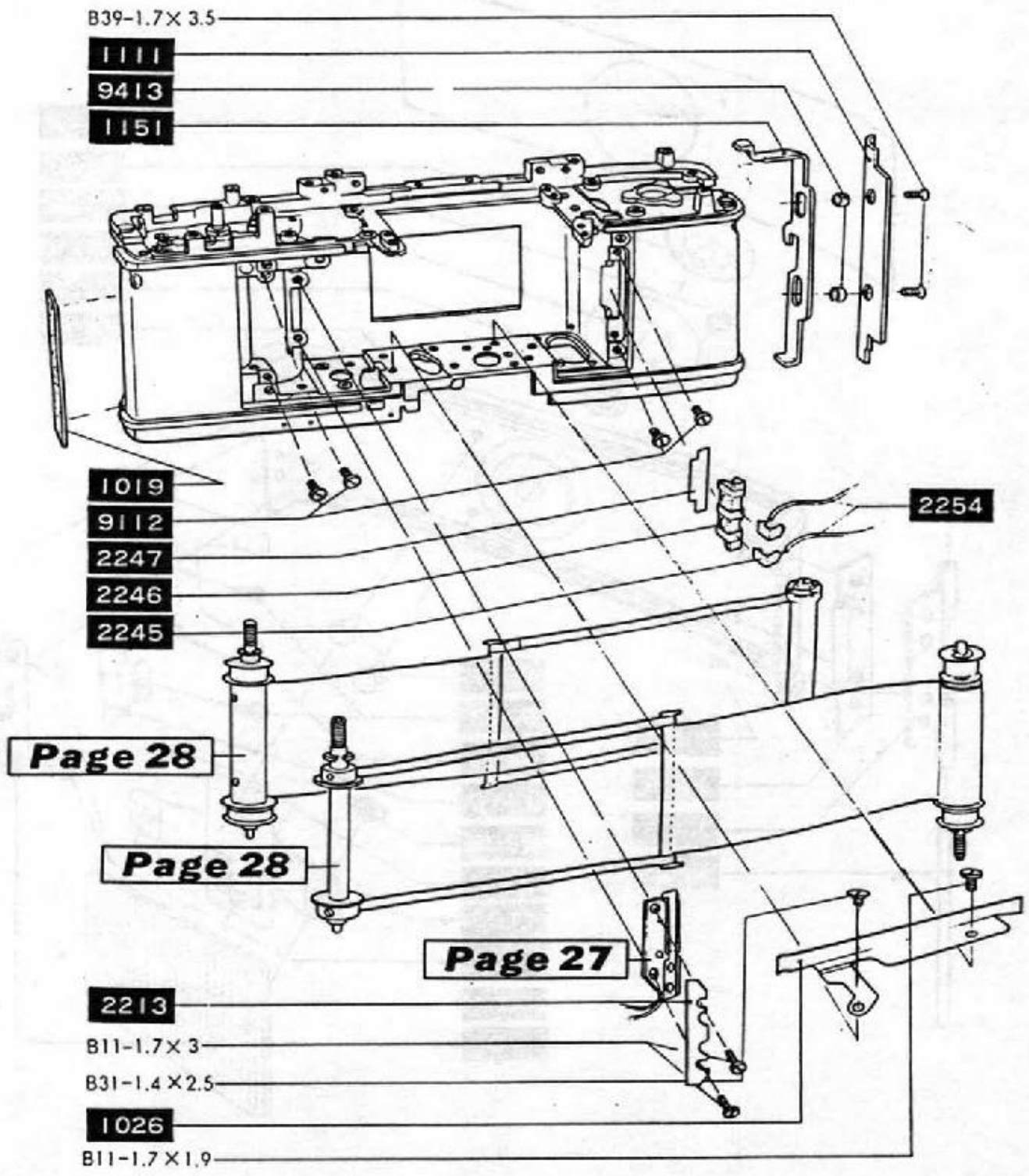
Key number 代表部品番号	Including parts number 結合部品番号
2551-71	2551, 2557, 9389.



Complete set parts.

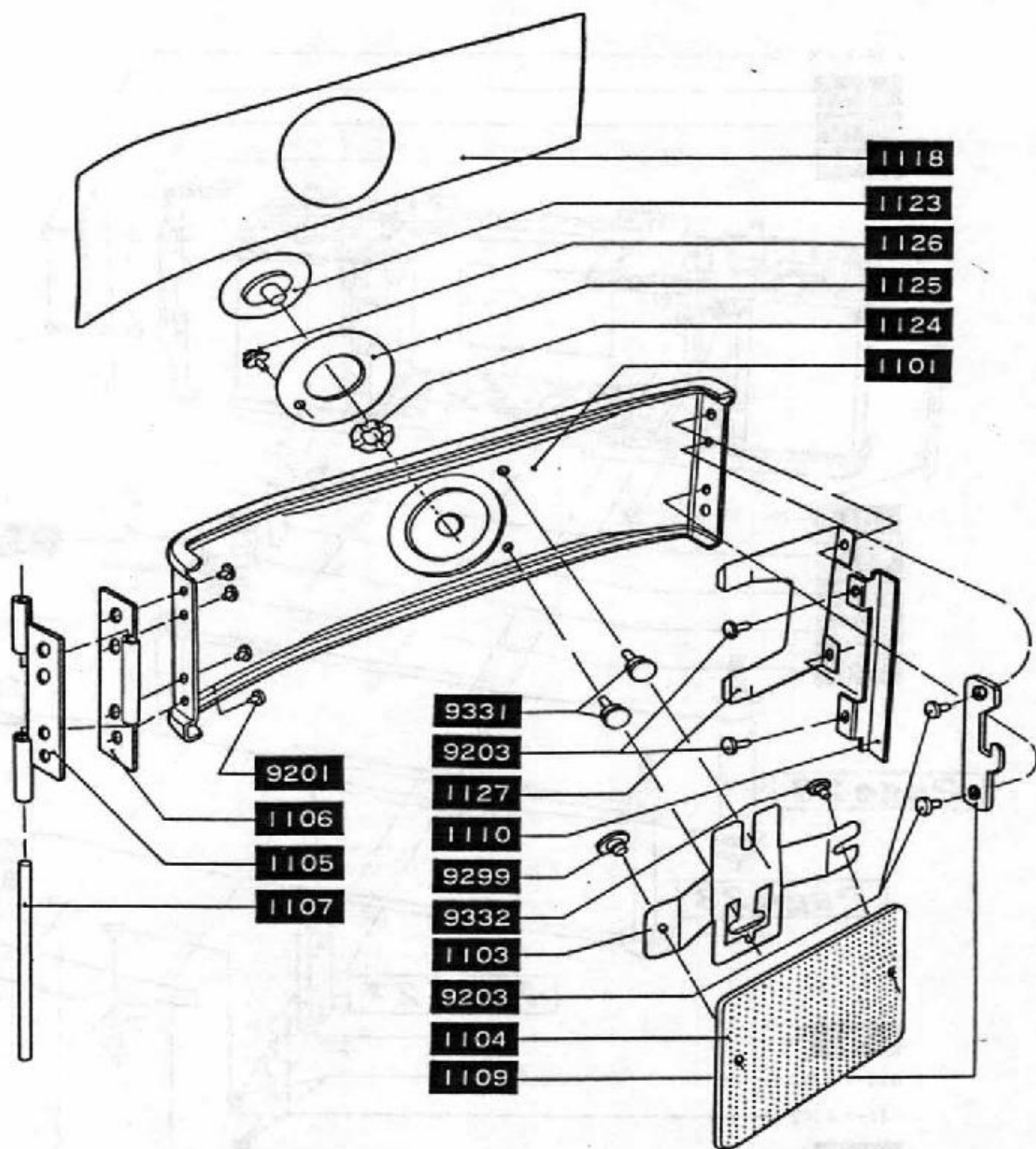
Key number 代表部品番号	Including parts number 結合部品番号
2552-71	2552, 2514, 2553, 2554, 2558, 2559, 9234, 9307, 9310, 9361, 9362, 9371, W-7.
2563-71	2563, 2503, 2562, 9301, 9304a, 9304b.





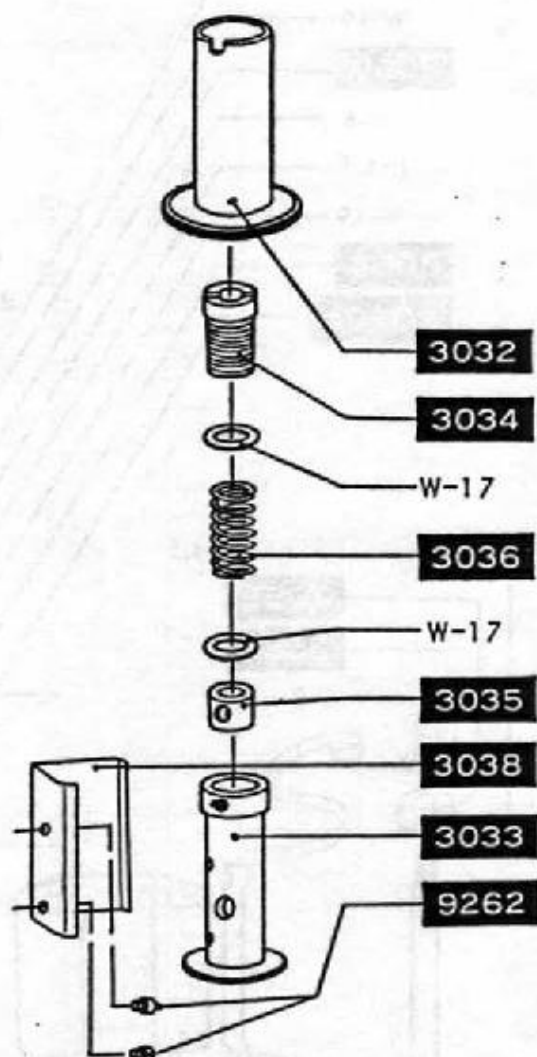
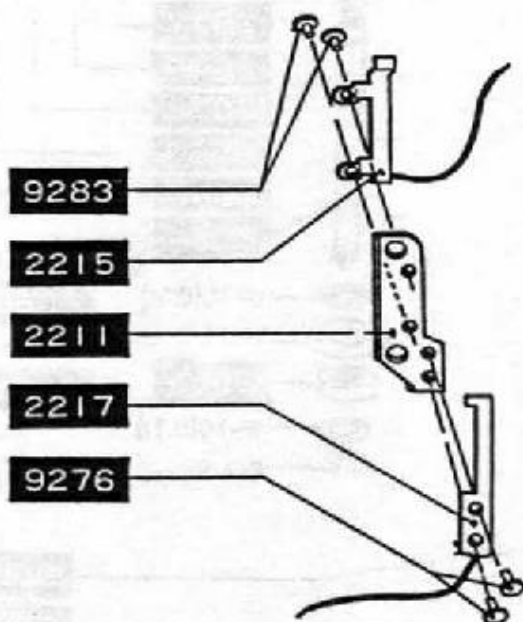
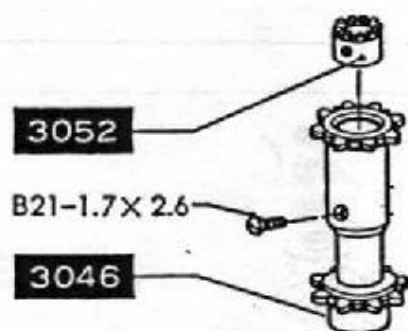
Complete set parts.

Key number 代表部品番号	Including parts number 結合部品番号
2246-71	2246, 2245, 2247.



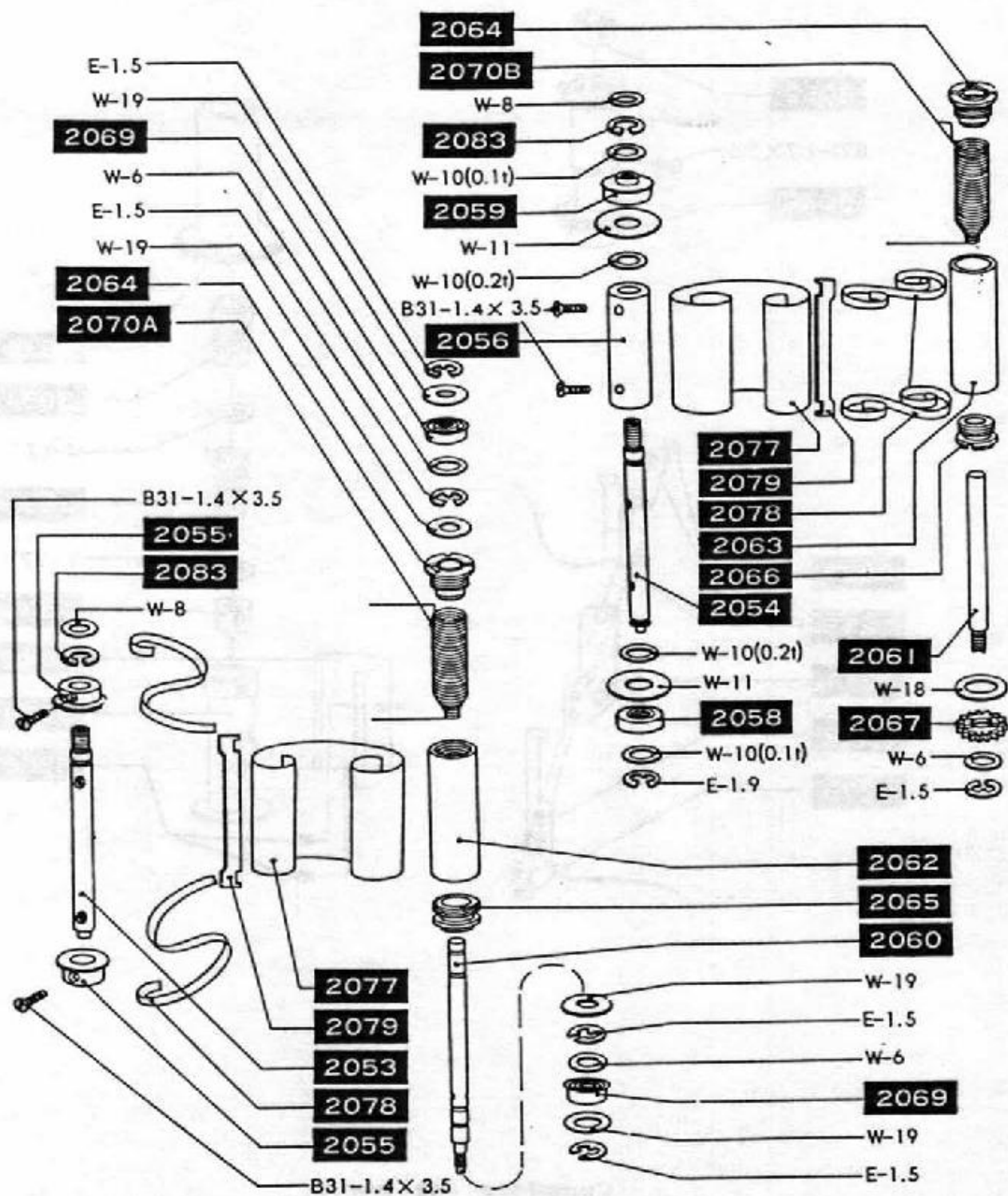
Complete set parts.

Key number 代表部品番号	Including parts number 結合部品番号
1101-71	1101, 1105, 1106, 1107, 1109, 1110, 1118, 1123, 1124, 1125, 1126, 1127, 9201, 9203, 9331.
1104-71	1104, 1103, 9299, 9332.



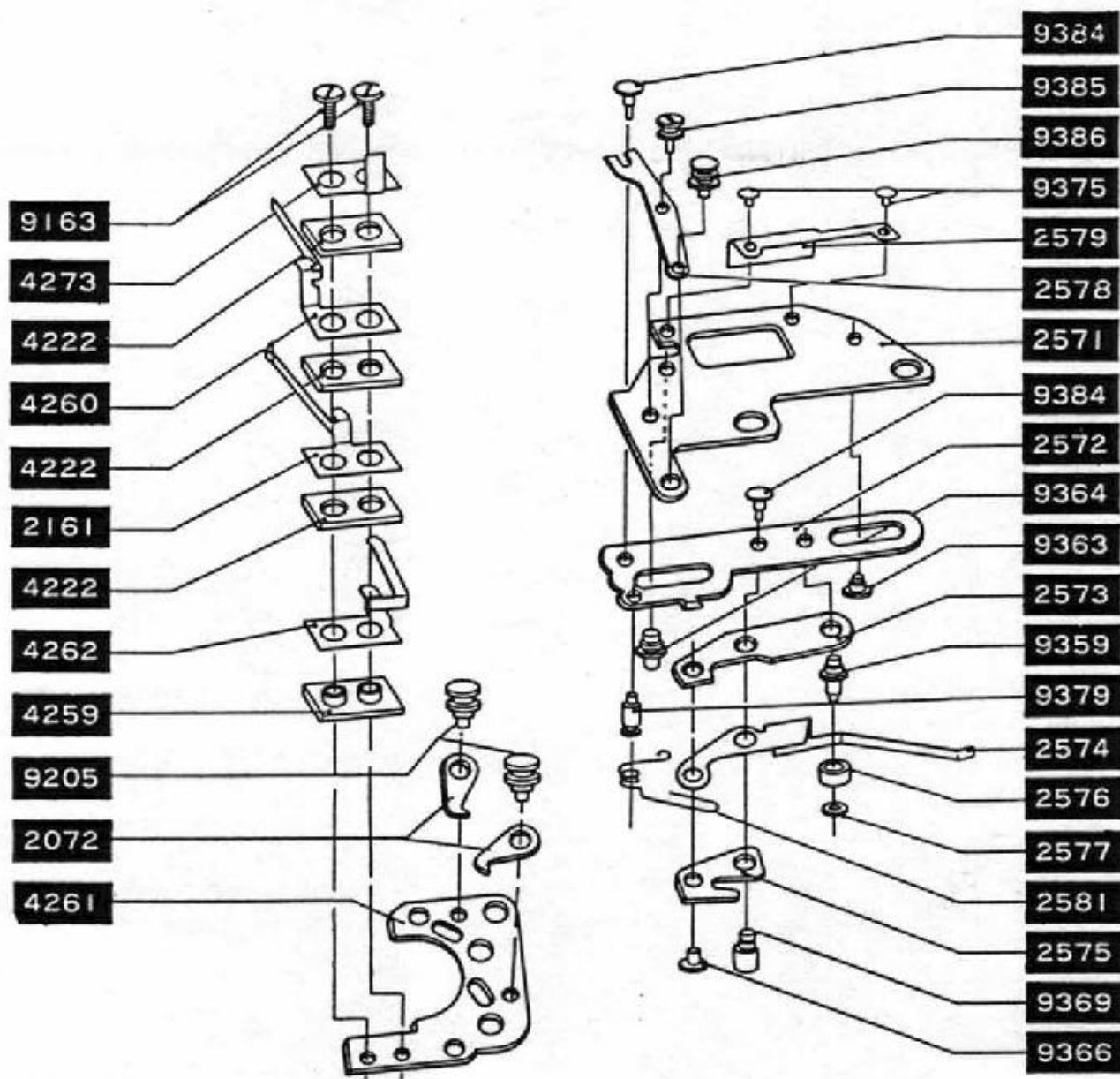
Complete set parts.

Key number 代表部品番号	Including parts number 結合部品番号
2211-71	2211, 2215, 2217, 9276b, 9283.
3038-71	3038, 9262.



Complete set parts.

Key number 代表部品番号	Including parts number 結合部品番号
2077-71	2077, 2078, 2079.



Complete set parts.

Key number 代表部品番号	Including parts number 結合部品番号
2571-71	2571, 2572, 2573, 2574, 2575, 2576, 2577, 2578, 2579, 9359, 9363, 9364, 9366, 9369, 9375, 9379, 9384, 9385, 9386.
2161-71	2161, 2072, 9205.